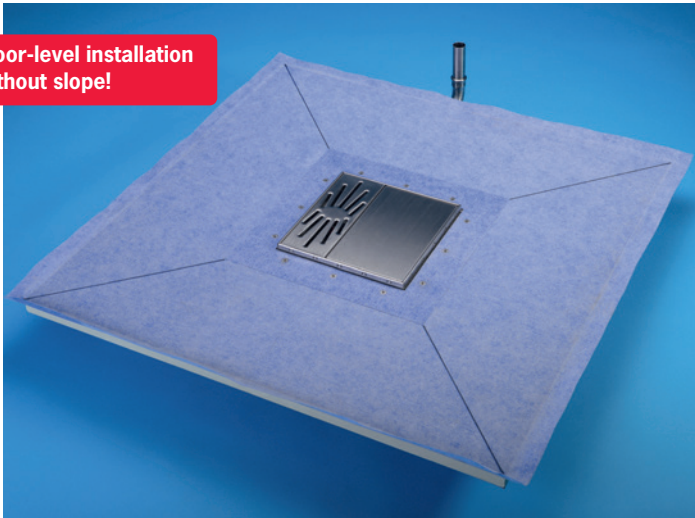
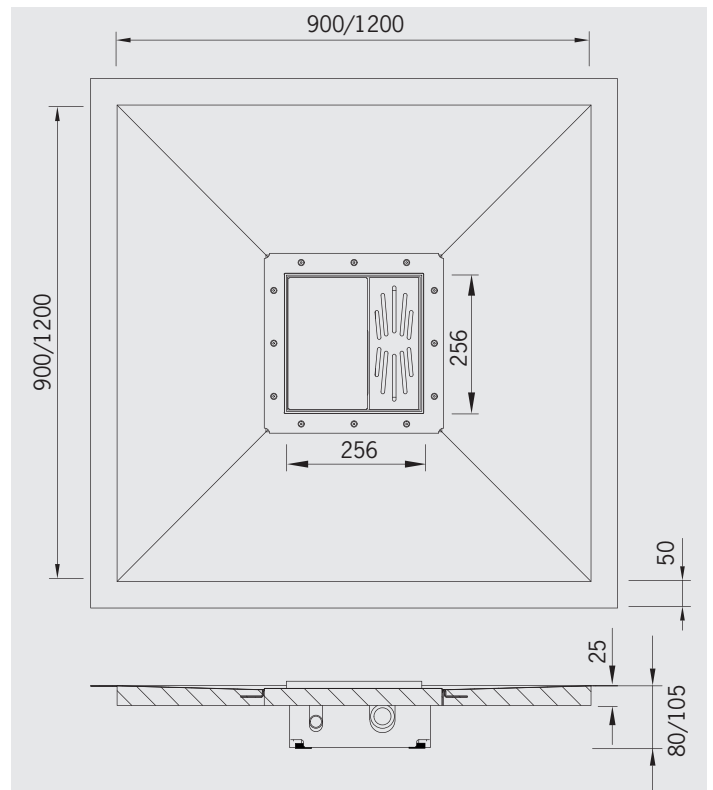


Floor-level installation
without slope!



Shower floor element made of PUR 1200 x 1200 x 25 mm with built-in Jung Plancofix floor drainage pump



Shower floor element made of PUR with built-in floor drainage pump

90x90 cm with pump, installation depth 8 cm

Art.-No. 1803.PFP 2450,- €

90x90 cm with pump, installation depth 10.5 cm

Art.-No. 1803.PF 2455,- €

120x120 cm with pump installation depth 8 cm

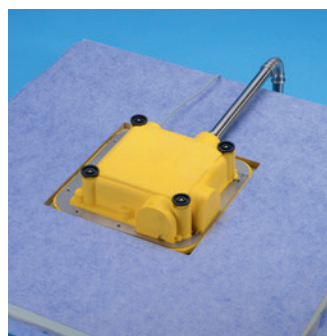
Art.-No. 1804.PFP 2525,- €

120x120 cm with pump installation depth 10.5 cm

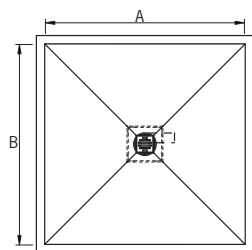
Art.-No. 1804.PF 2520,- €

- made of high grade, CFC-free and extra stable Polyurethane-integral-hard foam (PUR)
- heat and condensation insulated
- can be tiled directly
- with high point loading ratio, therefore also suitable for wheelchairs
- with built-in Jung Plancofix floor drainage pump
- only 8/10.5 cm installation depth
- with stainless steel grate 250x250 mm
- All working parts easily accessible in case of inspection
- Covers can be easily removed and cleaned!
- with built in 4-sided slope
- No slope to next drainpipe necessary
- Extremely quiet noise production from Plancofix plus <30 dB(A)
- Level control above float
- VDE certification
- with expanded, absolutely waterproof sealing foil with overlap, therefore reliable sealing of all of the connections (Floor/Floor, Floor/Wall)
- A connecting-sealing strip for the internal corners is included in the scope of delivery (Art-No. 1894).

Technical data	Shower floor element	Plancofix	Plancofix plus
Dimensions	900 x 900 x 25 mm		
	1200 x 1200 x 25 mm		
Pump installation depth		105 mm	90 (80) mm*
Height of PUR panel	25 mm		
Pressure prop		1" IG	1" IG
Capacity		65 W	30 W
Pump capacity max.		30 l/min	25 l/min
Delivery height max.		2,30 m	1,30 m
Inlet grate stainless steel		250x250 mm	
Gradient	ca. 2 %		
Strength	ca. 350 kg/m ²		
Density	ca. 400 kg/m ³		
Tile height (max)	12 mm		
Sealing strip overlap	50 mm		



The following are available:
Jung Plancofix (fig. above) and Jung Plancofix Plus (fig. left)



Size A:

Size B:

Size A and Size B max. 120 cm

Shower floor element (PUR)

with central drain

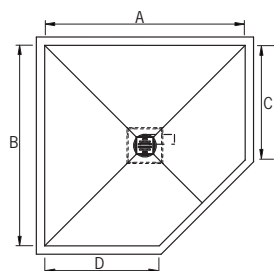
vertical horizontal

Enquiry

Order

Height-equalisation plate (EPS)

Thickness _____ cm



Size A:

Size B:

Size C:

Size D:

Size A and Size B max. 120 cm

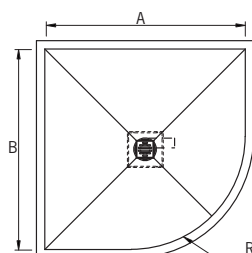
Shower floor element (PUR)

with central drain

vertical horizontal

Height-equalisation plate (EPS)

Thickness _____ cm



Size A:

Size B:

Size R:

Size A and Size B max. 120 cm

Shower floor element (PUR)

with central drain

vertical horizontal

Height-equalisation plate (EPS)

Thickness _____ cm

Please note:

All Grumbach shower floor elements have a 5 cm wide **sealing foil cover**.

Through the cutting of the Grumbach shower floor element, the ends of the sloping lines no longer end in the corners of the elements. After cutting, the surrounding edge of the shower element is no longer of uniform height. This can be remedied on site with the corresponding tile adhesive.

The adjusting plates **only fit onto the Grumbach shower floor elements**.

Please fill out:

Sender/Stamp

Contact person

Telephone

Fax

Date/Signature