

# Shower floor elements made of PUR with channel drainage

High loading point ratio

suitable for wheelchairs



## Shower floor elements 90x90 cm made of PUR with drainage channel 650 mm long

Art.-No. 1820

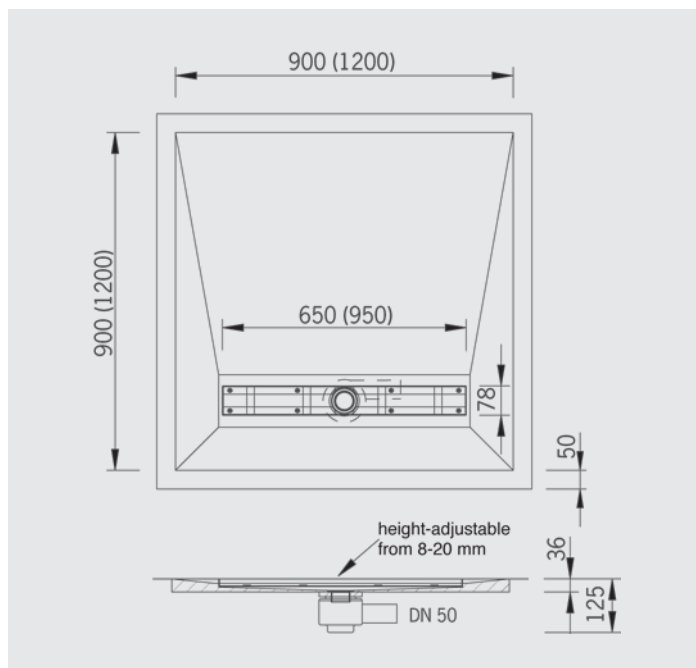
395,- €

## Shower floor elements 120x120 cm made of PUR with drainage channel 950 mm long

Art.-No. 1825

495,- €

- made of high grade, CFC-free and extra stable Polyurethane-integral-hard foam (PUR)
- heat and condensation insulated, 100 % watertight
- can be tiled directly
- with high point loading ratio, therefore also suitable for wheelchairs**
- with horizontal drain DN 50, manufacturer SANIT, and stainless steel drain channel 650 or 950x78 mm
- with stainless steel drain cover with drain groove (closed from above or can be tiled when turned)
- with drain siphon, lock screw ring and siphon seal
- with built in slope
- low installation height
- with dual-sided expanded, absolutely waterproof sealing foil
- with overlap, easy to install wall connection foil therefore reliable sealing of all of the connections (Floor/Floor, Floor/Wall)
- square-shaped 90 x 90 cm or 120 x 120 cm (can be shortened in the factory on request)
- A connecting-sealing strip for the internal corners is included in the scope of delivery (Art-No. 1894).
- Special shapes available at extra cost (67,- € , Art.-No. 1899.0) available! See form on page 54.**



### Technical data

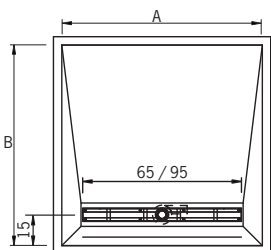
Dimensions	900 x 900 x 36 mm	1200 x 1200 x 36 mm
Sealing strip overlap	50 mm	50 mm
Height with drain siphon	125 mm	125 mm
Drain connection	DN 50 horizontal	DN 50 vertical
Drainage capacity	0,7 l/s	0,7 l/s
Gradient	ca. 2 %	ca. 2 %
Strength	ca. 350 kg/m <sup>2</sup>	ca. 350 kg/m <sup>2</sup>
Density	ca. 400 kg/m <sup>3</sup>	ca. 400 kg/m <sup>3</sup>
Tile height	8-20 mm	8-20 mm
Inlet channel stainless steel	650x78 mm	950x78 mm
Water sealing height	50 mm	50 mm

## Extra cost for design channel

Art.-No. 1829.1

270,- €





Size A:

Size B:

Size A max. 120 cm, min. 70 cm  
Size B max. 120 cm

Shower floor element (PUR)

with drain channel made of stainless steel  
(only horizontal drain available)

Enquiry

Order

Height-equalisation plate (EPS)

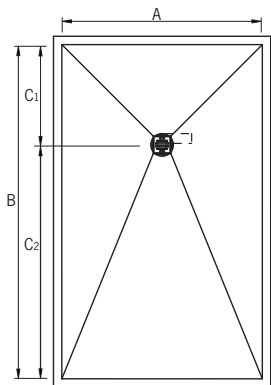
Thickness \_\_\_\_\_ cm

**Please note:**

All Grumbach shower floor elements have a 5 cm wide **sealing foil cover**.

Through the cutting of the Grumbach shower floor element, the ends of the sloping lines no longer end in the corners of the elements. After cutting, the surrounding edge of the shower element is no longer of uniform height. This can be remedied on site with the corresponding tile adhesive.

The adjusting plates **only fit onto the Grumbach shower floor elements**.



Size A:

Size B:

Size C<sub>1</sub>:

Size C<sub>2</sub>:

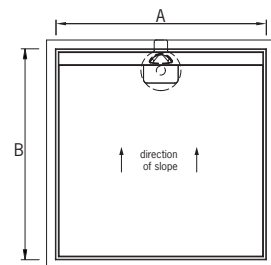
Size A max. 120 cm, Size B max. 200 cm  
Size C<sub>1</sub> max. 60 cm, Size C<sub>2</sub> max. 140 cm  
The drain is always central to size A  
Size C<sub>1</sub> and C<sub>2</sub> must be equal to size B (C<sub>1</sub> + C<sub>2</sub> = B).

Shower floor element (PUR)

with eccentric drain  
 vertical  horizontal

Height-equalisation plate (EPS)

Thickness \_\_\_\_\_ cm



Size A:

Size B:

Size A max. 120 cm  
Size B max. 120 cm

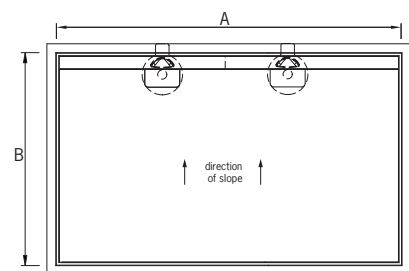
(Size A up to 200 cm on request possible: upwards of 120 cm with two drains and split drain cover)

Shower floor element (PUR)

with channel drainage and height-adjustable side facing  
with channel drain  vertical DN 50  
 horizontal DN 40

**Height equalisation panel (EPS)**

Thickness \_\_\_\_\_ cm



Size A:

Size B:

Size A max. 235 cm

(Size A up to 200 cm on request possible: upwards of 120 cm with two drains and split drain cover)

Size B: min. 80 cm, max 120 cm, only possible in 5 cm intervals.

Shower floor element (PUR)

with channel drainage and height-adjustable side facing  
with channel drain  vertical DN 50  
 horizontal DN 40

**Height equalisation panel (EPS)**

Thickness \_\_\_\_\_ cm

**Please fill out:**

Sender/Stamp

Contact person

Telephone

Fax

Date/Signature