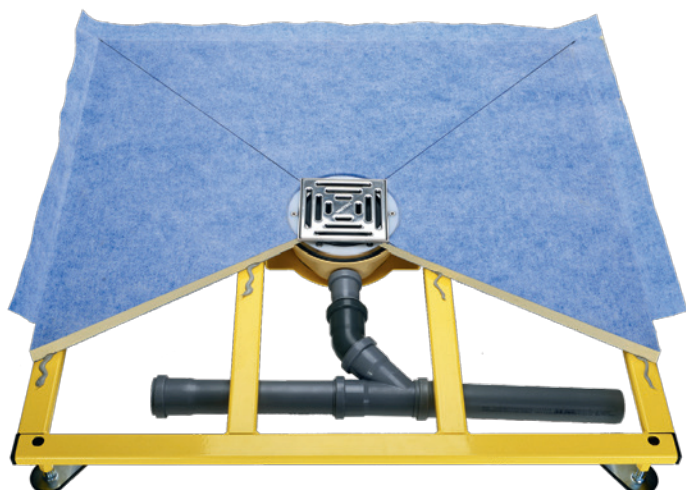


- Pre-fabricated elements for floor-level showers
- made of extra strong and high-density PUR integrated hard foam
- can be tiled directly

■ Support frame for shower floor elements made of painted steel pipe



- Yellow painted steel pipe frame with adjustable feet and bracket for Grumbach shower floor drain

- Support frame 90x90 cm (max. 10 adjustable feet)

Art.-No. 1814.90 345,- €

- Support frame 120x120 cm (max. 18 adjustable feet)

Art.-No. 1814.120 470,- €

When ordering, please mention the article number of the shower floor element used.

- Support frame special size up to 90x90 cm (max. 10 adjustable feet)

Art.-No. 1814.90.SON 345,- €

- Support frame special size up to 120x120 cm (max. 18 adjustable feet)

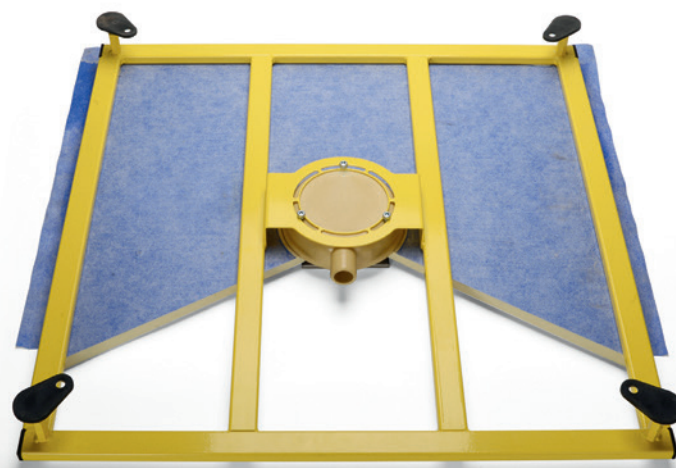
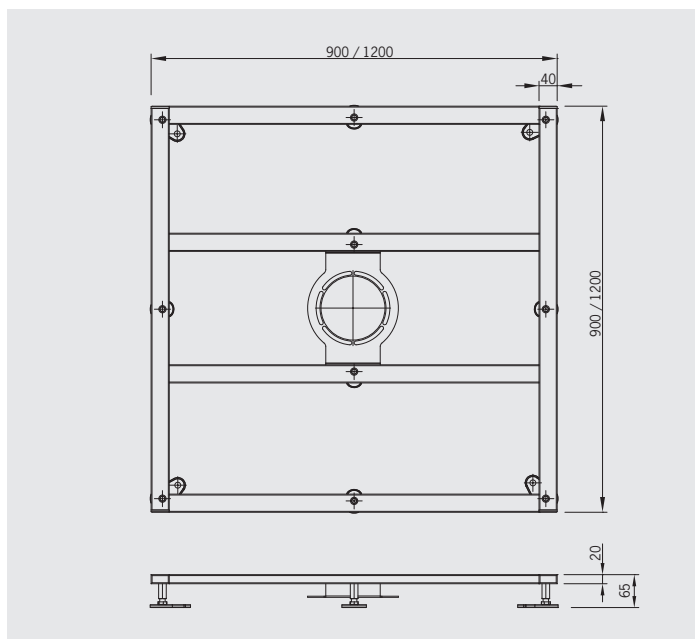
Art.-No. 1814.120.SON 470,- €

- Support frame special size up to 120x200 cm (max. 24 adjustable feet)

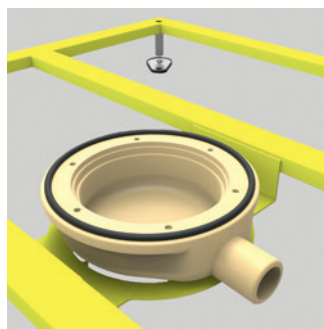
Art.-No. 1814.200.SON 595,- €

When ordering, please mention the article number of the shower floor element used.

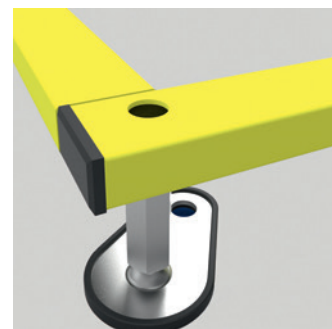
- suitable for all Grumbach shower floor elements
- very flat construction for the optimal and simple mounting of shower floor elements
- simple mounting and plumbing of the Grumbach shower floor drain under the shower floor element
- suitable for vertical and horizontal drains
- a lot of room for the plumbing of the drainpipes
- with stable height-adjustable feet M12 for simple positioning and for fastening to the floor
- de-coupled from structure borne sound due to rubber on the adjustable feet
- including mounting adhesive for sticking to the corresponding shower floor element



Support frame for shower floor elements, view from below; the 90x90 cm format is equipped with six extra adjustable feet (see technical drawing)



Bracket for the shower floor drain



Adjustable feet for simple positioning and fastening: with layer of rubber for the de-coupling of structure-borne noise. The number of adjustable feet is dependent on the size of the frame.