

## ■ Attica downpipe connection round or square



### Attica downpipe connection made of titanium zinc

- elegant adaptor onto the vertical downpipe in DN sizes through the attica lead roof drainage pipes
- for round or square drainpipes made of titanium zinc
- slip-in connection to roof drainpipe outside of the wall
- incl. slip-in sealing ring and cover grate
- also available for use with the attika slip-in drain
- removes the need for a water collecting container



Assembly example:  
Attica downpipe connection in combination with the attica balcony drain and the attica slip-in overflow.

The emergency overflow is inserted.  
A water collection container is no longer required.

Assembly example:  
Attica downpipe connection, rectangular, in combination with the attica balcony drain and the attica slip-in overflow

For a surcharge, the slip-in overflow can be supplied in stainless steel, which looks much better.

## ■ Attica downpipe connection round or rectangular

Dimension | Art. No.

NEW!



**Downpipe connection for attica drains, round, made of titanium zinc**

DN 70 **2471**  
DN 100 **2472**

incl. slip-in seal and cover grate, for round rain downpipes made of titanium zinc sheeting, suitable for all attica drains.

The scope of delivery of **Art. No. 2471** includes an **adaptor** of  $\varnothing$  87 mm to 80 mm.

NEW!



**Downpipe connection for attica drains, square, made of titanium zinc**

DN 70 **2473**  
DN 100 **2474**

incl. slip-in seal and cover grate, for rectangular rain downpipes made of titanium zinc sheeting, suitable for all attica drains.

2 in 1

NEW!



**Downpipe connection, round, made of titanium zinc**

DN 100 **2472.L**

as Art. No. 2472, but suitable to attica slip-in drain.

2 in 1

NEW!

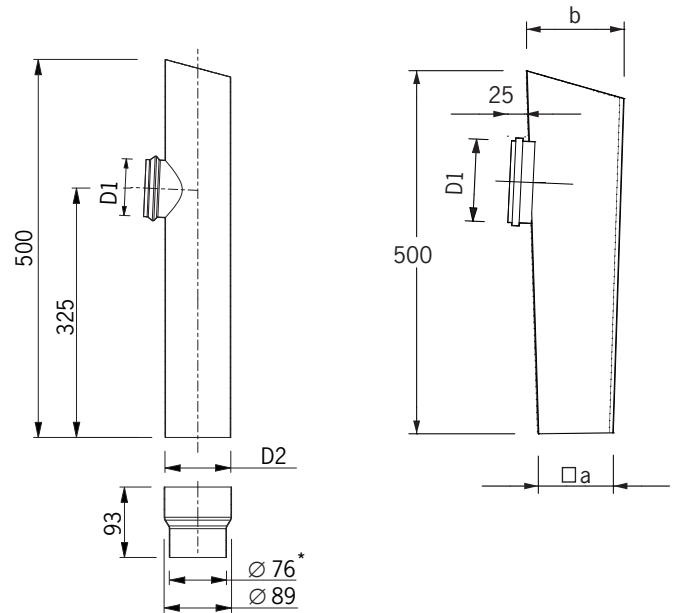


**Downpipe connection, rectangular, made of titanium zinc**

DN 100 **2474.L**

as Art. No. 2474, but suitable to attica slip-in drain.

### Technical data attica downpipe connection made of titanium zinc



Art.	DN	D1	D2	a	b
2471	70	75	87	-	-
2472	100	110	100	-	-
2473	70	75	-	75	95
2474	100	110	-	95	130

### Assembly example attica downpipe connection made of titanium zinc

