

■ Attica flat drain short or long version

Attica flat drain made of PUR

The drain is suitable for main and emergency drainage and built for high drainage capacities. It also displays a very flat design and is available in two lengths.



Installation example attica flat drain

Attica flat drain DN 100, placed in the heat insulation, inserted into the sleeve of the attica balcony drain in the vapour barrier and connected to the roof seal. **To prevent frost damage, we recommend using our trace heating systems (see page 69).**



Installation example attica flat drain with adhesive collar

Attica flat drain DN 100 with adhesive collar, placed in the heat insulation, inserted into the sleeve of the attica balcony drain in the vapour barrier and connected to the roof seal.

To prevent frost damage, we recommend using our trace heating systems (see page 69).



Attica flat drain short or long version

Dimension | Art. No.



**Attica flat drain made of PUR
short version:**

610 mm
DN 70 **2442**
DN 100 **2444**



long version:

1200 mm
DN 70 **2442.L**
DN 100 **2444.L**



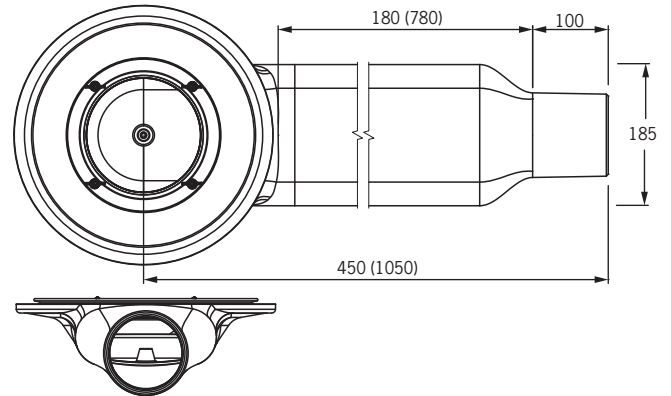
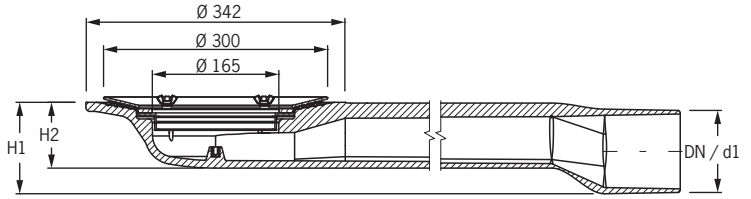
**Attica flat drain made of PUR
with adhesive collar**

short version: 610 mm
DN 70 **3441**
DN 100 **3443**

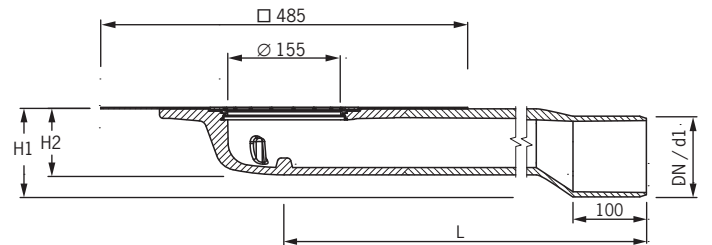


long version: 1200 mm
DN 70 **3441.L**
DN 100 **3443.L**

Technical data attica flat drain



Art. No.	DN	d1	H1	H2	Drainage capacities*
2442	70	75	85	70	3,8 l/s (35 mm)
2444	100	110	120	90	5,8 l/s (35 mm)
2442.L	70	75	85	70	6,3 l/s (35 mm)
2444.L	100	110	120	90	6,4 l/s (35 mm)



Art. No.	DN	d1	H1	H2	L	Drainage capacities*
3441	70	75	85	70	450	3,8 l/s (35 mm)
3443	100	110	120	90	450	5,8 l/s (35 mm)
3441.L	70	75	85	70	1050	6,3 l/s (35 mm)
3443.L	100	110	120	90	1050	6,4 l/s (35 mm)

*Drainage capacity acc. to DIN EN 1253-2 in l/sec (accumulation height in millimeters)

Attica flat drain with accessories

Dimension | Art. No.



Adaptor ring/accumulating element made of PUR
 Connection between an attica flat drain and an extension element
3449.A



Inlay sieve made of stainless steel
 suitable for attica flat drain with adhesive collar
3449.S



Extension for emergency drainage
 suitable for attica flat drain with adhesive collar
3449.N



Vapor barrier connection cuff DN 70/100
2491.M

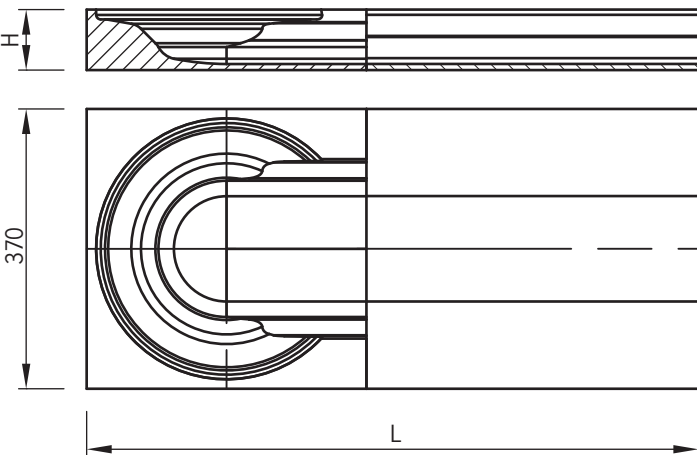


Insulating element made of EPS
only suitable for attica flat drain with adhesive collar!
 short version
 DN 70 **5911.70**
 DN100 **5911.100**



long version
 DN 70 **5910.70**
 DN100 **5910.100**

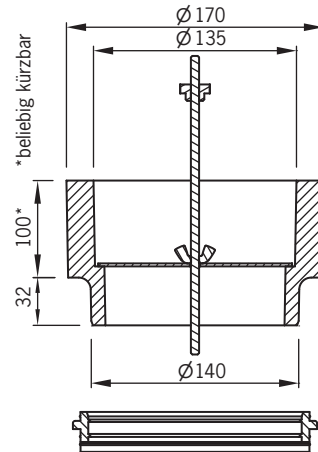
Technical data insulating elements



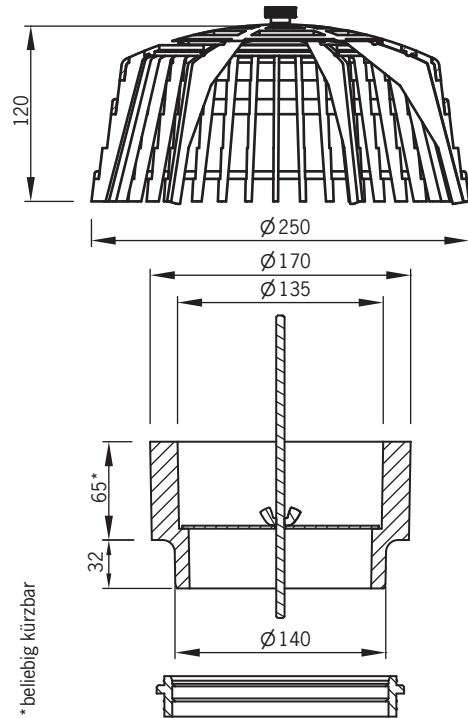
Art. No.	L	H
5911.70	370	80
5911.100	370	100

Art. No.	L	H
5910.70	810	80
5910.100	810	100

Technical data adaptor ring/accumulating element



Technical data extension for emergency drainage



Technical data vapor barrier connection cuff

