

## ■ Attica Meso drain New series! for medium drainage capacities



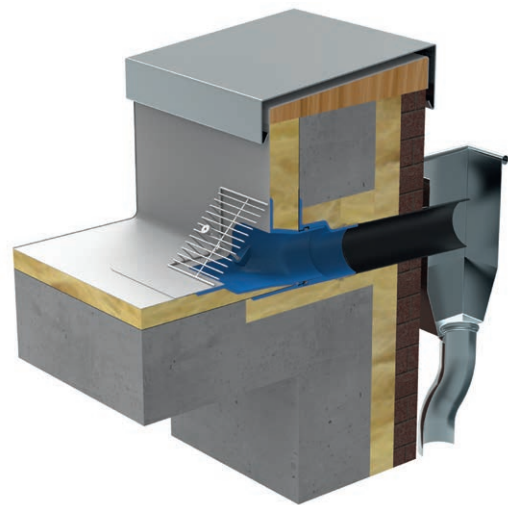
Attica Meso drain DN 70 made of PUR without wedge (with leaf trap grate 3494.S1 as accessory)

### Attica Meso drain DN 70/100 made of PUR

The new Grumbach attica Meso drain has a relatively high drainage capacity with only very little insert in the thermal insulation.

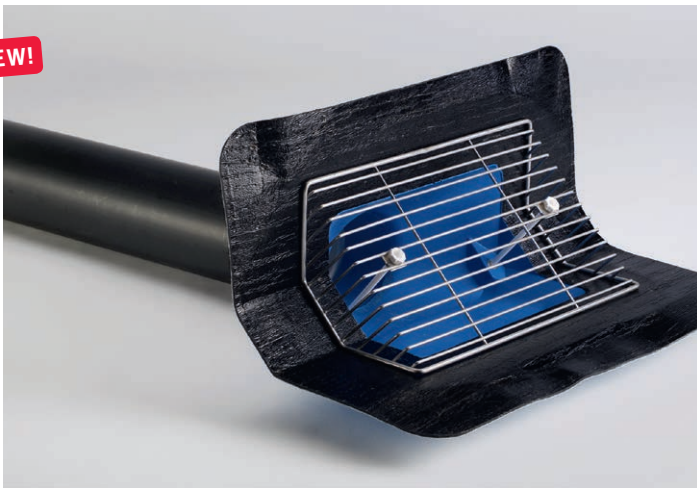
- With permanently cast connecting sheet.
- Available with all common roof seals  
(Please mention typ of required connection collar when ordering).
- Made of high-quality polyurethane-hard-foam (PUR).
- with 50 cm long PP sleeve pipe (black).
- **Now available with wedge 6x6 cm!**

#### Installation example attica Meso drain made of PUR without wedge



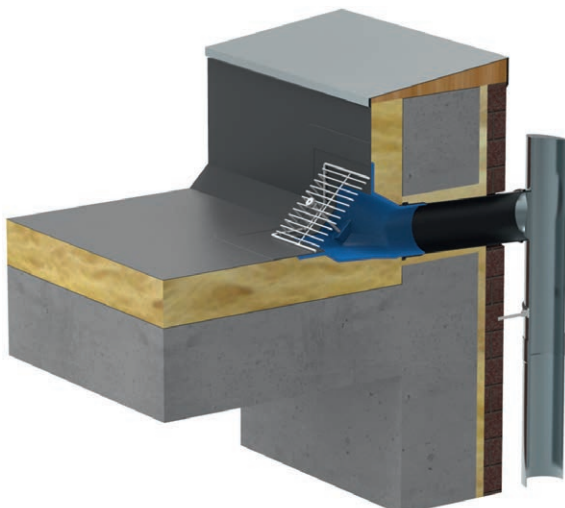
Attica balcony drain with slip-in socket, built into the vapor barrier, with inserted attica Meso drain without wedge; with water collector. **To avoid frost damage, we recommend using our trace heating systems (see page 69).**

**NEW!**

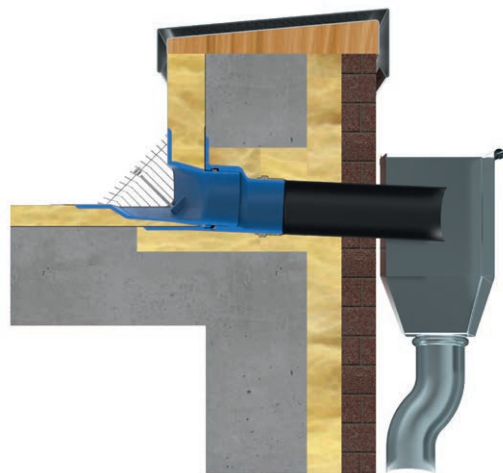


Attica Meso drain DN 100 made of PUR with wedge 6x6 cm (with leaf trap grate 3494.S as accessory)

#### Installation example attica Meso drain made of PUR with wedge



Attica Meso drain with wedge mounted in an insulated roof. On the outer side with round downpipe connection. **To avoid frost damage, we recommend using our trace heating systems (see page 69).**



# Attica Meso drain for medium drainage capacities

Dimension | Art. No.

### Attica Meso drain made of PUR without wedge

with PP sleeve pipe (55 cm)  
DN 70 **3212**  
DN 100 **3214**

### Attica Meso drain made of PUR with wedge

with PP sleeve pipe (55 cm)  
DN 70 **3211.BIT**  
DN 100 **3213.BIT**

### Attica leaf trap grate made of stainless steel

for Attica Meso drain made of PUR without wedge **3494.S1**  
with wedge **3494.S**

### Pull-out protection made of EPDM

suitable for all common pipes  
DN 70/DN 100  
DN 70 **5341**  
DN 100 **5343**

### Pebble trap made of PE

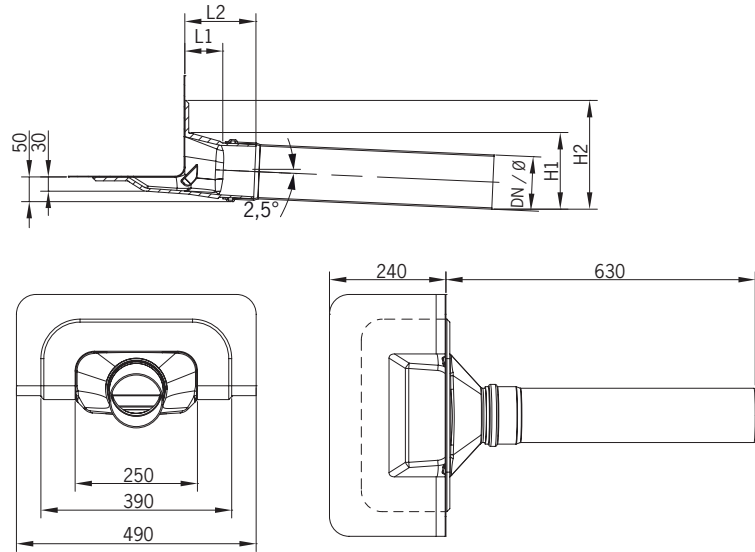
suitable for the attica Meso drain made of PUR without wedge **3495.S1**  
with wedge **3495.S**

### Water collector

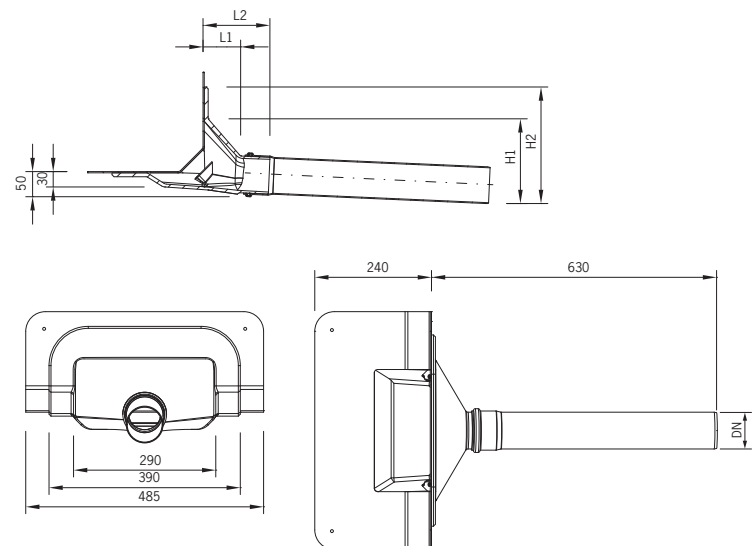
made of titanium zinc, 0,80 mm thick, drain support 100 mm resp. 6-piece.

**3450.I**

### Technical data attica Meso drain made of PUR without wedge



### Technical data attica Meso drain made of PUR with wedge



Art.	DN	Ø	H1	H2	L1	L2	Drainage capacities*
3212	70	75	150	215	70	135	2,8 l/s (35 mm)
3214	100	110	155	220	75	145	3,0 l/s (35 mm)
3211.BIT	70	75	170	240	75	135	2,5 l/s (35 mm)
3213.BIT	100	110	175	240	75	145	3,3 l/s (35 mm)

\*Drainage capacity acc. to DIN EN 1253-2 in l/sec (accumulation height in millimeters)

### Pull-out protection made of EPDM (assembly example)

- including EPDM pull-out protection, hose clamp and locking ring made of stainless steel
- restrained connection between drain and socket pipe
- suitable for all common pipes DN 70 and DN 100



Attica Meso drain with applied PP sleeve pipe and pull-out protection

### Technical data pull-out protection made of EPDM

Art.	5341	5343
DN	70	100
D1	90	130
D2	80	120
D3	100	140
H	65	75

