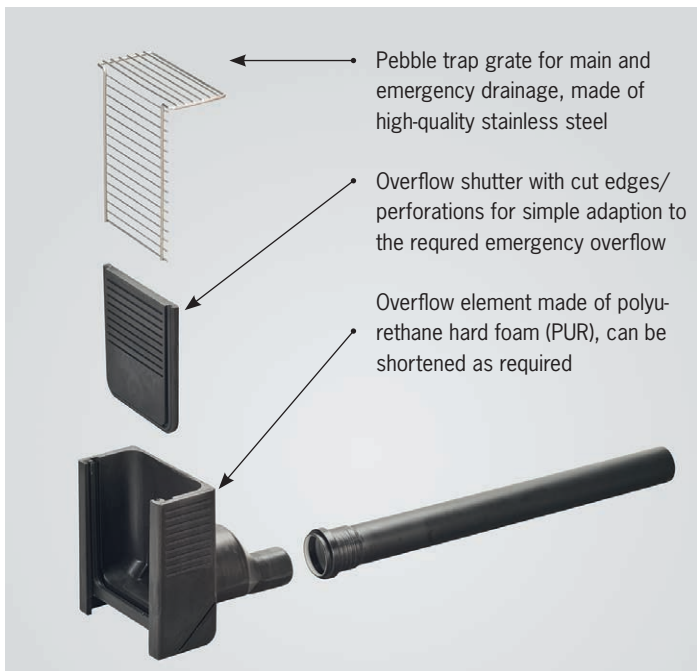


■ Attica slip-in overflow The clever two-in-one solution!



Attica slip-in overflow



Example: Attica slip-in overflow in the attica balcony drain with partial flow diversion made of stainless steel (for direct downpipe connection)



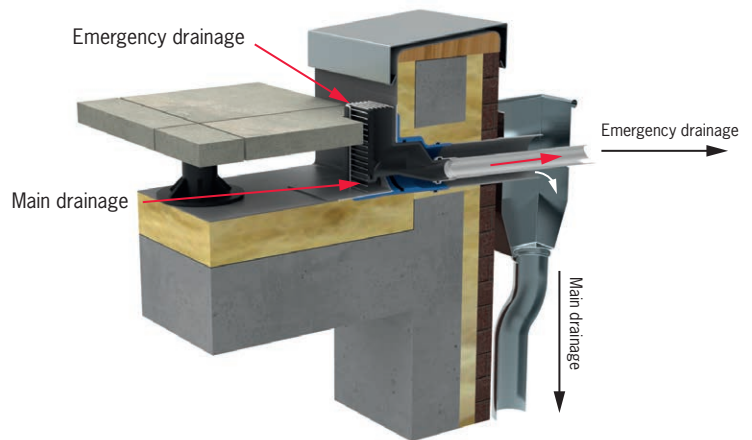
Attica slip-in overflow

Ideally suitable for the Grumbach attica balcony drain made of PUR DN 100 with slip-in socket (Art.-No. 3415 or 3444.BIT). The slip-in overflow allows main and emergency drainage with only one attica borehole.

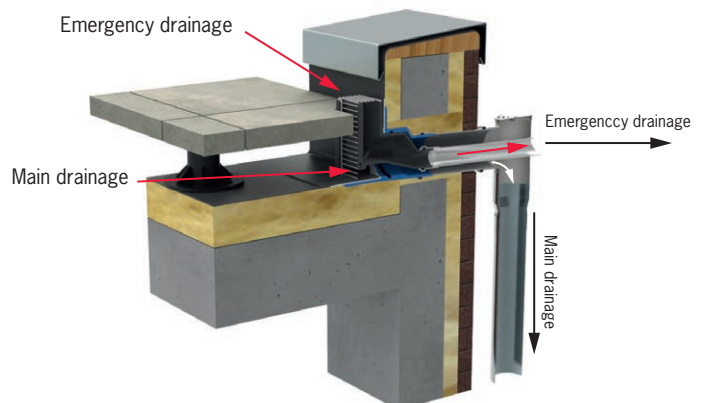
The emergency overflow can simply be adapted. The slip-in overflow is suitable for Attikas up to 350 mm and can be shortened and extended without any problems.

Best for small balconies and terraces!

Installation example



Attica slip-in overflow in a attica balcony drain in conjunction with a water collecting box



Attica slip-in overflow in a attica balcony drain with partial flow diversion made of stainless steel (for direct downpipe connection).



Example: Attica slip-in overflow applied to a attica balcony drain

Attica slip-in overflow

The clever two-in-one solution!

Dimension | Art. No.

Attica slip-in overflow with PP sleeve pipe 50 cm (black)

DN 50 **3420**

Application examples:
Attica slip-in overflow made of PUR with attica balcony drain DN 100 (Art. No. 3415)

Attica slip-in overflow made of PUR with attica balcony drain DN 100 with wedge (Art. No. 3444.BIT)

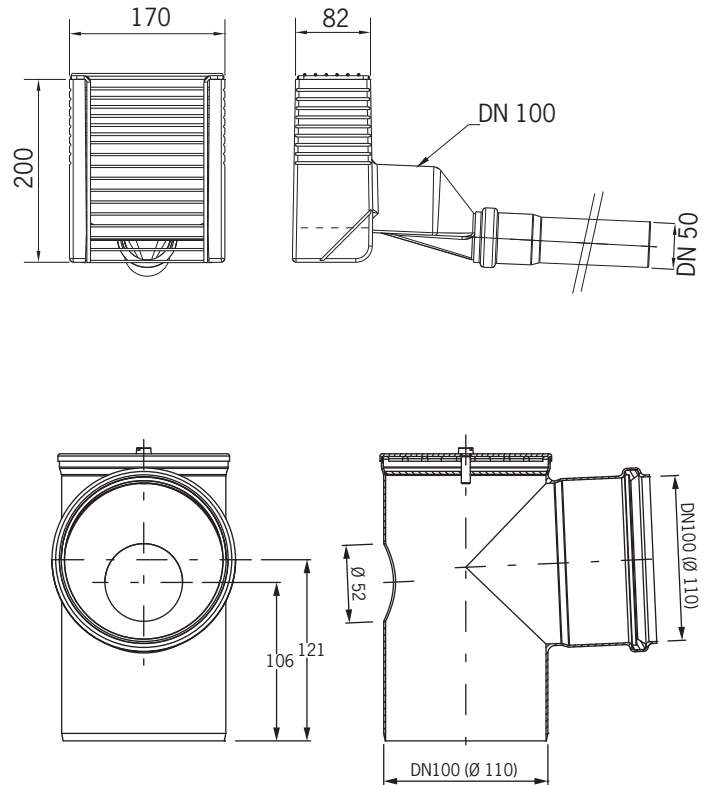
Partial flow diversion

suitable for attica balcony drain made of PUR, no water collecting box required

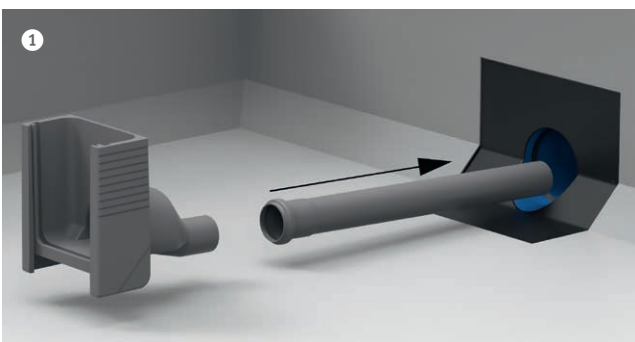
3420.AB

Assembly example

Technical data attica slip-in overflow



Assembly of a slip-in overflow



Quick and simple mounting of the slip-in overflow

1. Push the slip-in overflow into the attica balcony drain
2. Shorten overflow shutter to the required overflow height and push it into the guiding rail
3. Add pebble trap grate
4. Completely assembled slip-in overflow
5. The PP sleeve pipe or stainless steel pipe protrudes from the water collection box.