

# ■ Clamp flange drain DN 150

## The original one!

Very large pebble trap reduces the risk of a blockage to a minimum



Larger better fitting clamp flange made of aluminum with clamp 45 mm wide – screws are out of clamping area



Storm-proof pebble trap attachment with threaded bolt, nuts and pebble trap securing plate, all in stainless steel

Absolutely secure combination seal with double function for flange pressing and anti-flowback seal



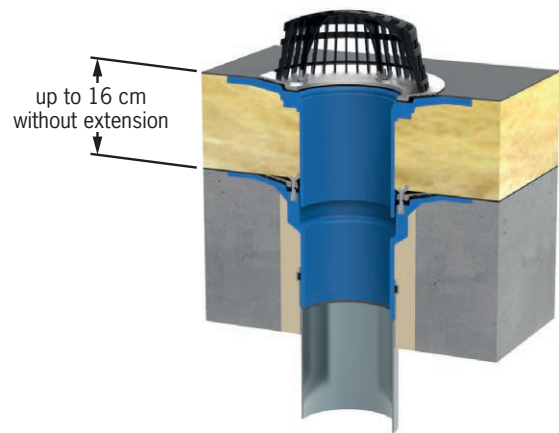
Drain made of PUR

### Clamp flange drain made of PUR

CFC-frei, with pebble trap, clamp flange and combi-seal. **Also heatable** via an integrated, self-regulating 230 V PTC heating element, performance up to max. 10 W. We recommend using the frost switch base set (Art. No. 5922, see page 69) in connection with our heatable drains.

**Extension element** with clamp flange and flange pressing seal suitable for all clamp flange drains.

### Installation example



Clamp flange drain DN 150 with an extension element in an insulated roof

### The perfect combination of quality and technology!

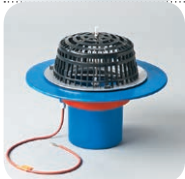
- Unravel the roof sheeting, cut the hole, fit the flange - finished
- The new clamp flange-technology with the new rubber seals ensures an absolutely secure connection with any roof covering!
- Grumbach clamp flange drains fit into nearly any type of roof and roof covering. There are extra parts for insulated roofs, inverted roofs, porch roofs and green roofs, etc.

Dimension | Art. No.



#### Clamp flange drain (PUR)

vertical:  
DN 150    **2008**



#### Clamp flange drain (PUR)

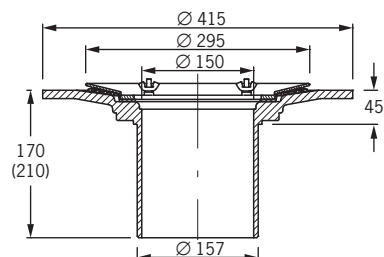
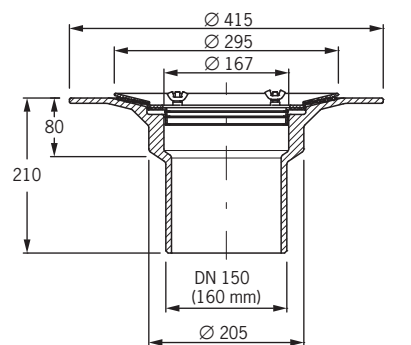
vertical  
**heatable** (230V):  
DN 150    **2028.2**



#### Extension element

up to 12 cm    **2080**  
up to 16 cm    **2081**

### Technical data



Art. No.	Drainage capacity*
2008, 2028.2	10,0 l/s (45 mm)

\*Drainage capacity acc. to DIN EN 12532 in litres per second (at accumulation height in millimeters)