

■ Eco drain Perfect in detail!



Eco drain as two-parter, consists of top and bottom as extension element

Eco drain made of PUR – an ingenious two-parter made of high quality, CFC-free polyurethane hard foam (PUR). Maximal drainage with minimal roof penetration.

- At every available DN nominal width, the bottom part of the drain has only the necessary diameter and therefore requires only a minimal opening in the roof.
- On the top surface of the lower part of every drain there is an slip-in socket of the same DN nominal width as the support diameter. This allows the top part of the drain secure and steady support as well as absolute back flow prevention and also allows a number of flexible applications.
- The drain top part not only has a long drain support in DN nominal width for high insulation thicknesses, but also has a positioned inlet pallet for low insulation constructions.
- The inlet area, which is the same size for all DN nominal widths, ensures a high drainage capacity.
- With an extra-large and stable pebble trap to ensure the down pipes do not become blocked.
- Can be delivered with all common roof surface connection clamps.
- The independent use of drain top or bottom piece allows a variety of applications due to the general construction in DN nominal widths.

Dimension | Art. No.



Eco drain made of PUR (top)

DN 70	3282
DN 100	3284
DN 125	3286

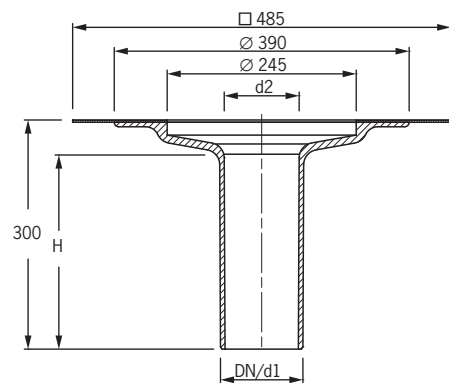


Eco drain made of PUR (bottom)

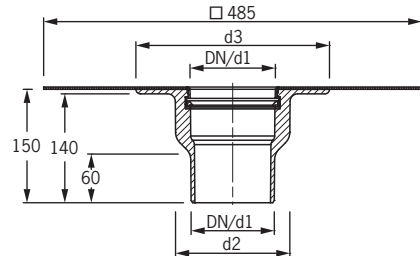
DN 70	3202
DN 100	3204
DN 125	3206

Technical data Eco drain

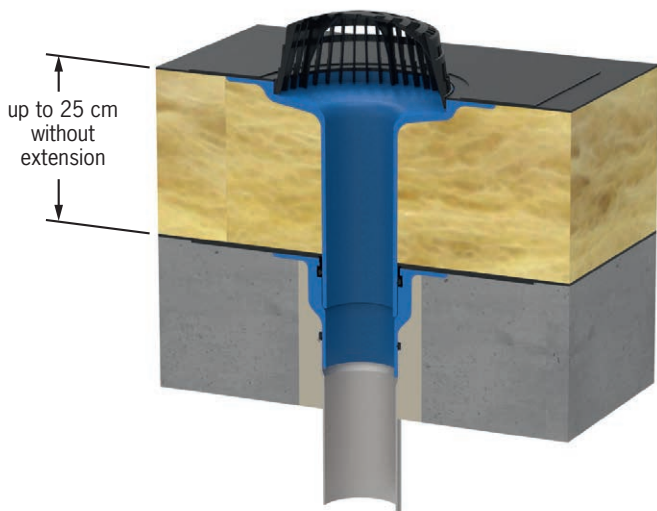
Top



Bottom



Installation example Eco drain



Eco drain bottom piece DN 100 with inserted eco drain top piece DN 100 as extension element in an insulated roof.

Art.	DN	d1	d2	d3	H	Drainage capacity*
Bottom						
3202	70	75	115	220	–	3,9 l/s (35 mm)
3204	100	110	150	255	–	5,2 l/s (35 mm)
3206	125	125	165	270	–	7,8 l/s (45 mm)
Top						
3282	70	75	62	–	245	8,0 l/s (35 mm)
3284	100	110	97	–	245	8,8 l/s (35 mm)
3286	125	125	114	–	250	10,4 l/s (45 mm)

*Drainage capacity acc. to DIN EN 1253-2 in l/sec (accumulation height in millimeters)