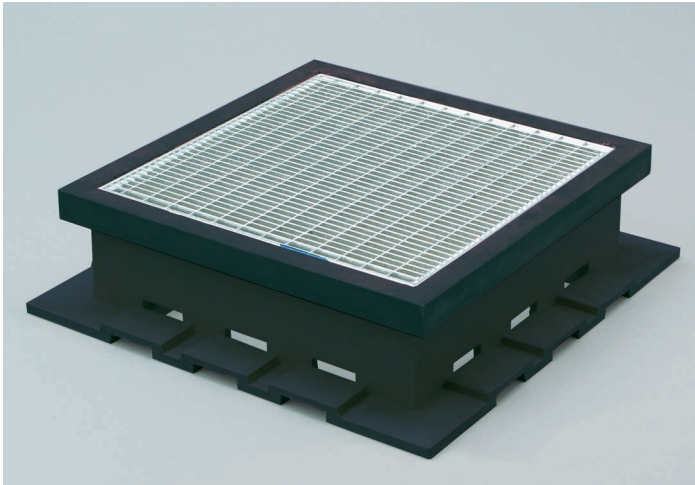


■ Green roof drainage



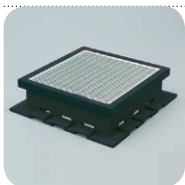
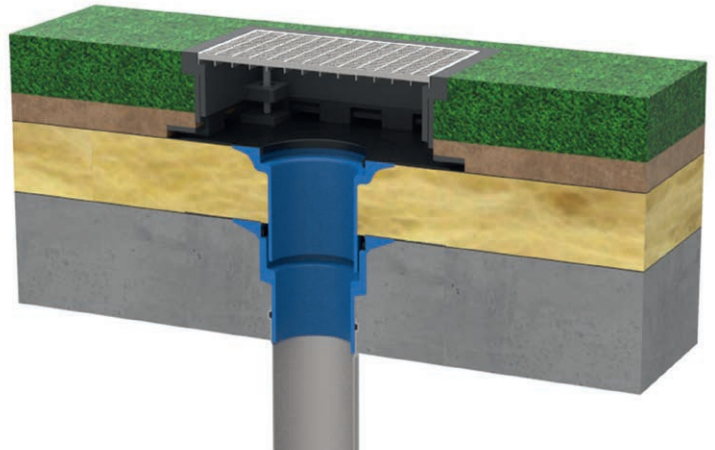
Green roof safety drain made of PUR, 500 x 500 mm, consists of bottom part, top part and galvanised inlet grate, max. Load 0.5 t, height-adjustable: 160–220 mm

The green roof safety drain

is the secure, robust drain for green roofs etc.

- made of PUR, resilient up to 0,5 t
- with lid made of steel, hot dipped galvanised
- secure drainage on two levels
- accessible drain, even for back-up
- for every construction height from 16 cm

Installation example green roof safety drain



Dimension | Art. No.

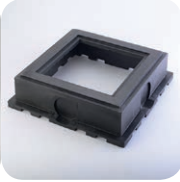
Green roof safety drain made of PUR

500 mm **5000**



Extension element made of PUR for 80 mm extension

suitable for Art. No. 5000
5001



Green roof safety drain small made of PUR

365 mm **5010**
without sieve panel, as extension element up to 93 mm extension
5011

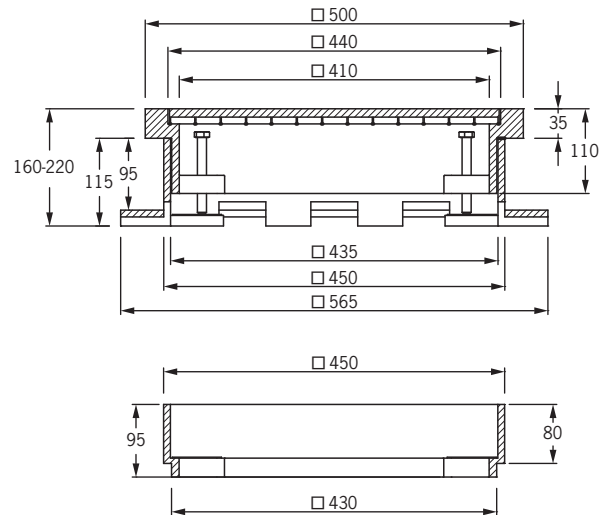


Green roof safety drain small made of PUR PLUS

as Art. 5010, although with cladding from above made of stainless steel

5010.E

Technical data green roof safety drain



The green roof safety drain small made of PUR

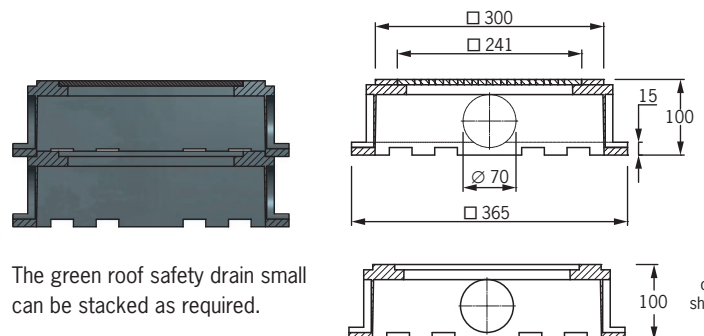
- especially suited for extensively vegetated green roofs



Green roof safety drain made of PUR, 365 x 365 mm, with pre-formed connections for drainpipe \varnothing 70 mm and sieve panel made of aluminum. Height 100 mm

Especially suited for extensively vegetated flat roofs!

Installation example and technical data green roof safety drain small



The green roof safety drain small can be stacked as required.