

■ Redevelopment drains for redeveloping “in the pot”

Redevelopment drain made of PUR 157 for redeveloping “in the pot”

CFC-free, with pebble trap and lip seal; with clamp flange and flange pressing seal and coated connection collar (bitumen, PVC, special foil).



Trapezoidal drain DN 100



Redevelopment drain DN 90 made of aluminum

Grumbach offers a whole range of redevelopment drains suitable for every redevelopment case:

For example the redevelopment drain made of PUR 157

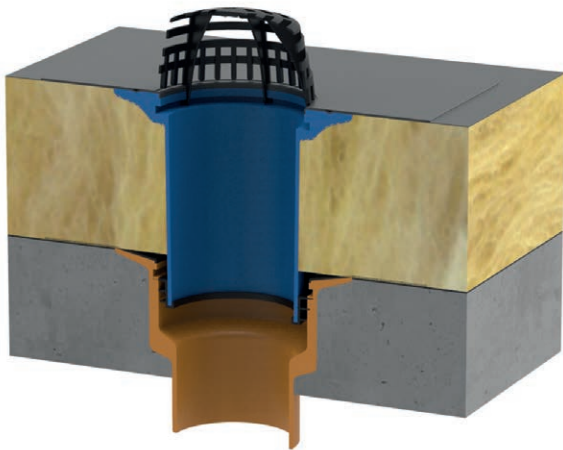
With this drain (with adhesive collar or clamp flange) it is possible to redevelop any kind of old drain with an internal diameter of 172 to 185 mm with anti-back flow protection. That covers most redevelopment cases.

Analogue statements are valid for the redevelopment drains made of PUR DN 125, 140, 170 and 200 (see p. 14).

Trapezoidal drain made of PUR

With the trapezoidal drain size DN 70/DN 100 it is possible to redevelop any kind of old drain with an internal diameter of 88 up to 105 mm or from 123 up to 135 mm with backflow protection – not just trapezoidal sheet roofs.

Installation example redevelopment “in the pot”



Redevelopment drain with connection collar and backflow seal in drain pot supplied

Redevelopment “in the pot”

is the name of the “traditional” renovation method with the tried and tested basic range of redevelopment drains made of PUR in DN 200, 170, 157, 140 and 125.

The range also includes the trapezoidal drains made of PUR in DN 100 and 70 as well as the garage drains made of PUR in DN 70 und 50. The connection between the redevelopment drain and the old drain takes place here (via a special made lip seal) in the pot of the old drain.

The measuring of the internal diameter of the pot of the old drain is an important prerequisite to finding the suitable redevelopment drain.

Redevelopment drains for redeveloping "in the pot" **

Dimension | Art. No.



Redevelopment drain (PUR) DN 125

vertical, clamp flange:
DN 125 **3306**
pot inside-Ø: 140–150 mm



Redevelopment drain made of PUR DN 125

vertical, adhesive collar:
DN 125 **3306**
pot inside-Ø: 140–150 mm



Redevelopment drain made of PUR 140

vertical, clamp flange:
140 **2307**
pot inside-Ø: 155–165 mm



Redevelopment drain made of PUR 140

vertical, adhesive collar:
140 **3307**
pot inside-Ø: 155–165 mm



Redevelopment drain made of PUR DN 150

vertical, clamp flange:
157 **2308**
pot inside-Ø: 172–185 mm



Redevelopment drain made of PUR DN 150

vertical, adhesive collar:
157 **3308**
pot inside-Ø: 172–185 mm



Redevelopment drain made of PUR 170

vertical, adhesive collar:
170 **3329**
pot inside-Ø: 185–198 mm



Redevelopment drain made of PUR DN 200

vertical, adhesive collar:
200 **3309**
pot inside-Ø: 215–230 mm



Trapezoidal drain made of PUR

vertical:
DN 70 **2302**
pot inside-Ø: 88–105 mm

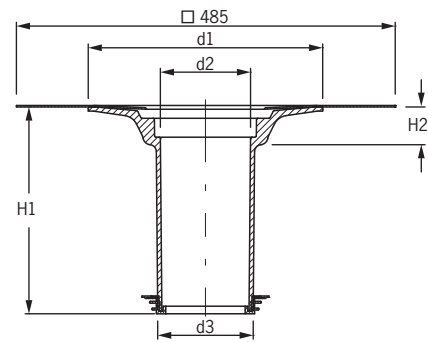
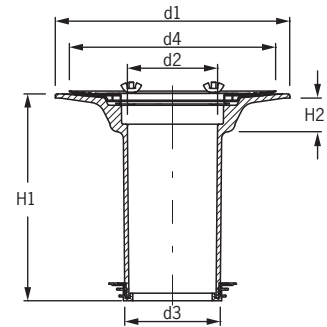
DN 100 **2304**
pot inside-Ø: 123–135 mm



Redevelopment drain made of aluminum

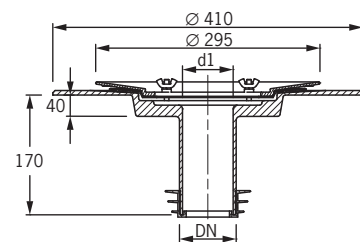
vertical:
DN 90 **2303**
pot inside-Ø: 100–115 mm
and pipes DN 100

Technical data redevelopment drains made of PUR



Art.	d1	d2	d3	d4	H1	H2
2306	310	–	125	273	390	60
3306	310	118	125	–	390	60
2307	310	136	140	273	280	70
3307	310	130	140	–	280	70
2308	285	154	157	275	400	60
3308	250	146	157	–	400	60
3329	310	160	170	–	260	40
3309	340	190	200	–	260	70

Technical data Trapezoidal drain made of PUR



Art.	DN	d1	Drainage capacity*
2302	70	65	6,7 l/s (35 mm)
2304	100	100	5,9 l/s (35 mm)

*Drainage capacity acc. to DIN EN 12532 in l/sec (accumulation height in millimeters) ** Bei einer Sanierung können wir eine absolute »Rückstaudichtheit« nicht garantieren.