

## ■ Ventilation redevelopment, roof and small roof vents



**Redevelopment vent made of PUR, including:**

Water deflector, made of PE

Ventilation pipe, made of PE

Redevelopment vent

Lip seal

### **Grumbach redevelopment vent made of PUR**

heat insulated, CFC-free, with lip seal; adhesive flange with foam-filled connection collar (bitumen, PVC or special foil), backflow seal, PVC pipe and water deflector.



### **The Grumbach Redevelopment vent**

is suitable for backflow-free connection of drain connections onto sleeveless pipes and into the sealing surface.

### **Installation example redevelopment vent**

Ventilation inlet redevelopment insulated roof construction

Top part:  
New ventilation pipe with adhesive collar and water deflector inserted in redevelopment vent.

Bottom part:  
Redevelopment vent inserted into old sleeveless ventilation pipe



### **Grumbach roof vent made of PUR**

with broad adhesive collar and heavy rainproof cover. This ensures that the gap in the cold roof is well ventilated. See next page.



Roof vent DN 200



Roof vent with connection collar, on request.

# Ventilation redevelopment, roof and small roof vents

Dimension | Art. No.



**Redevelopment vent  
56/88/103 made of PUR**  
56 for DN 70     **5161**  
88 for DN 100    **5163**  
103 for DN 125   **5165**

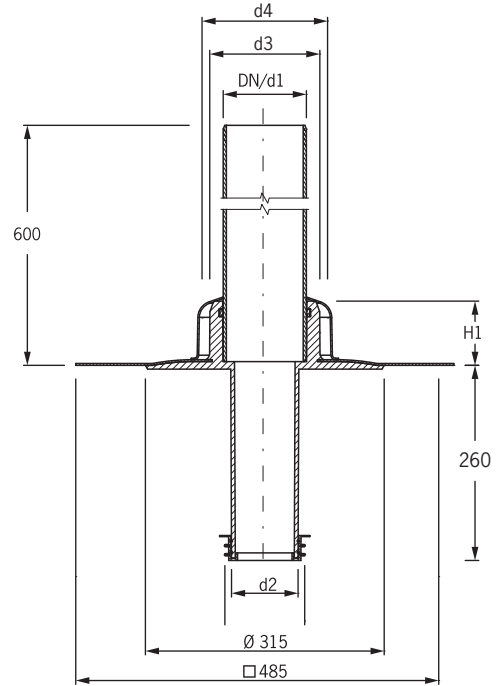


**Roof vent DN 200 made of PUR  
with rain cap     **5157**  
without rain cap   **5159****



**Cold roof vent with connection  
collar**  
Ø 100                    **5155**

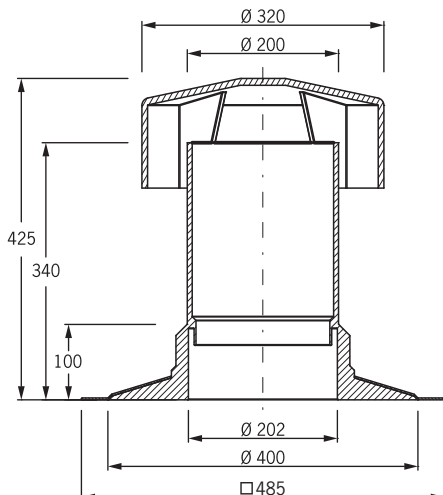
## Technical data redevelopment vent



Art.	DN	d1	d2	d3	d4	H1
5161	70	75	56	112	131	75
5163	100	110	88	140	166	85
5165	100	110	103	140	166	85

## Installation example und technical data roof vent DN 200

Roof vent DN 200 applied on a second, shortened roof vent DN 200, inserted into an insulated roof.



## Installation example und technical data cold roof vent

Cold roof vent for ventilation in a roof seal of a ventilated roof construction.

