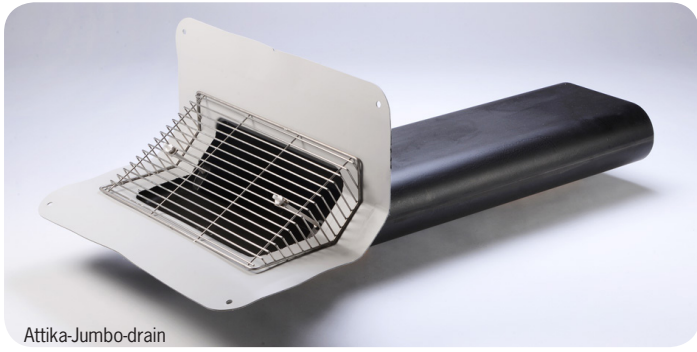


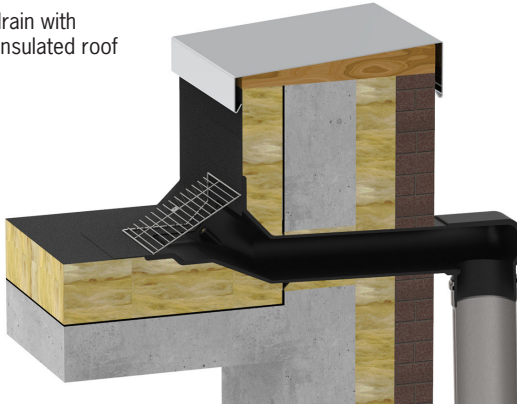
■ Attika-Jumbo-drain New now with extended connecting piece



Attika-Jumbo-drain

Installation example

Attika-Jumbo-drain with adaptor in an insulated roof

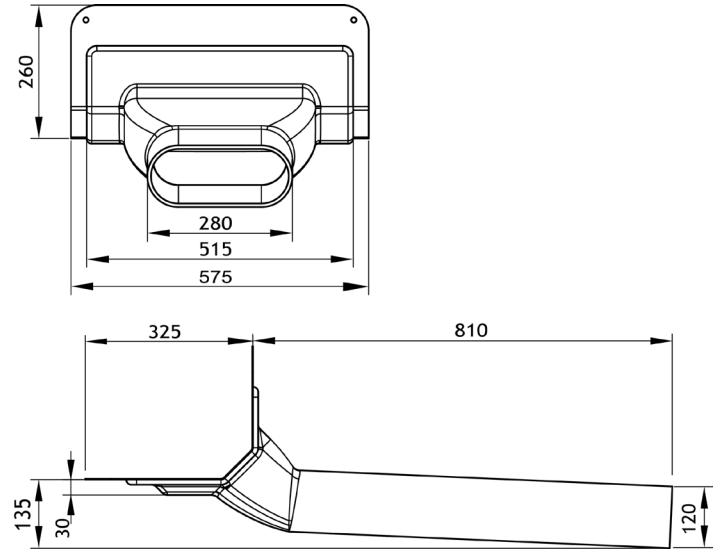


Product description

- The new Attika-Jumbo-drain now has an extended connection piece
- made of high-quality, CFC-free polyurethane hard foam (PUR)
- with permanent cast connection collar
- with stainless-steel leaf trap grate

Technical data

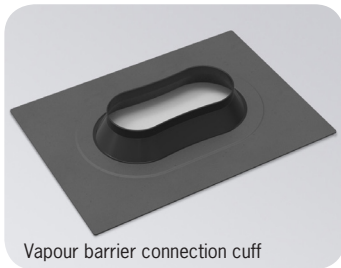
Attika-Jumbo-drain



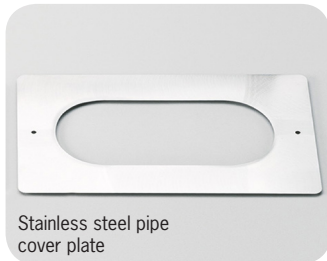
■ Accessories



Adaptor

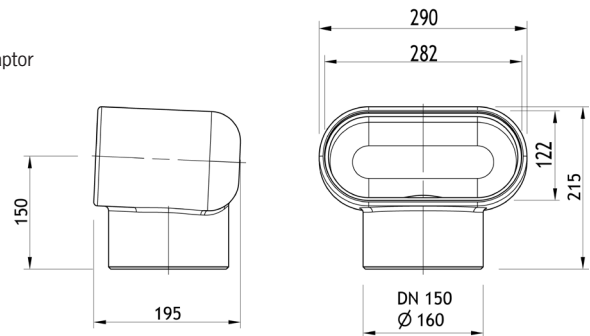


Vapour barrier connection cuff

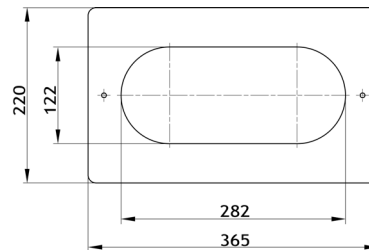


Stainless steel pipe cover plate

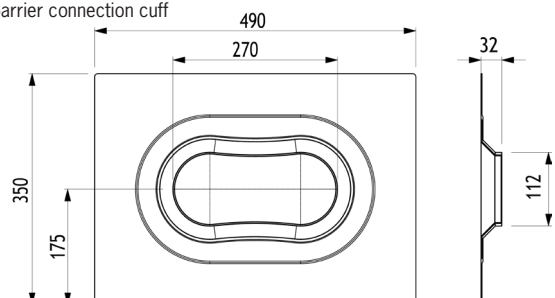
Adaptor



Pipe cover plate



Vapour barrier connection cuff



Prices

Art.No	Description	Price
3436.N	Attika-Jumbo-drain New	354,-
3439.N	Adaptor for Attika-Jumbo-drain New	85,-
2462.N	Stainless steel pipe cover plate New	88,-
2499	Vapour barrier connection cuff New	75,-