

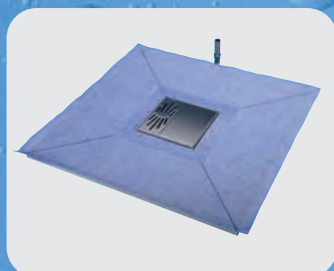
Product range 2022.1

Shower floor systems

for floor-level tiled showers



Corner shower floor element "ultraflat" with corner installation plate made of PUR



Shower floor element with built-in floor drainage pump



Shower floor element "ultraflat" made of PUR with central drainage



Shower floor element "ultraflat" made of PUR with eccentric drainage



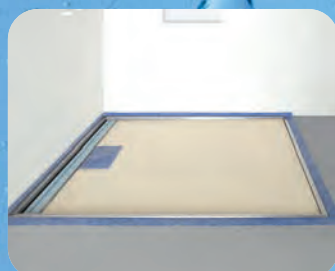
Shower floor element "ultraflat" 120 x 200 cm made of PUR with eccentric drainage



Shower floor element made of PUR complete with channel drainage and height-adjustable side panel



Shower floor element made of PUR with channel drainage, installation example



Shower floor element made of PUR complete with channel drainage and height-adjustable side panel

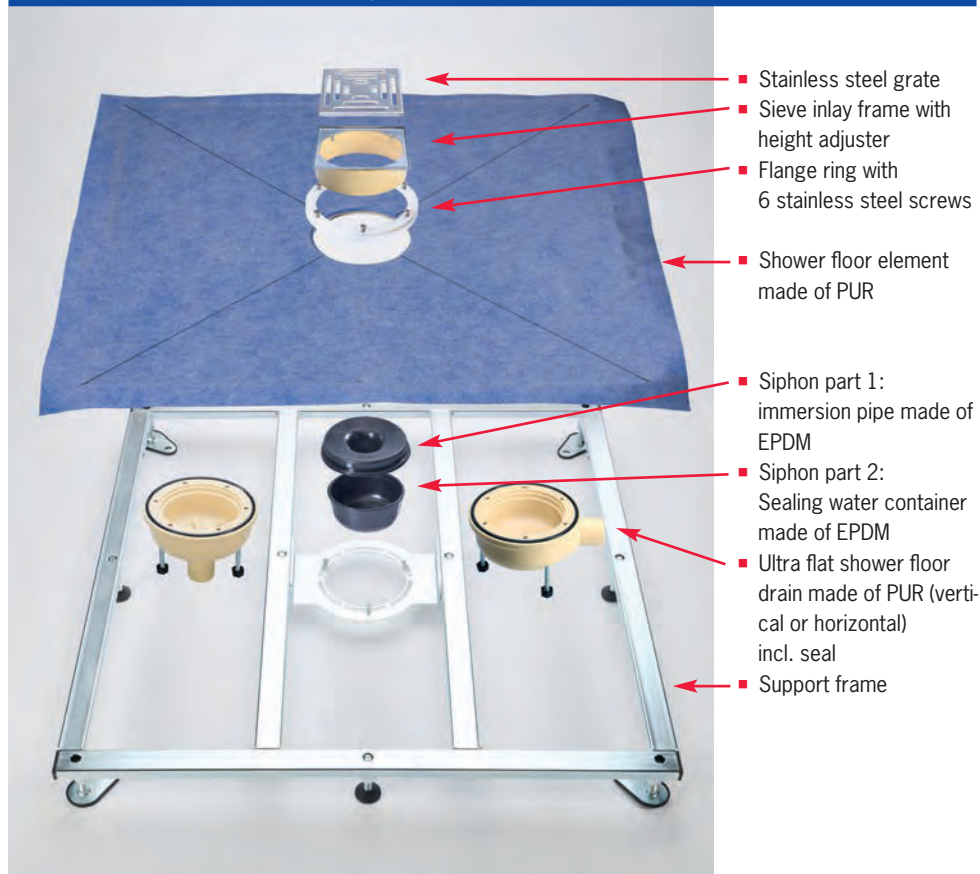


Shower floor element made of PUR with channel drainage, installation example

Contents

- 45–52 Shower floor elements made of PUR**
- 53–54 Support frame for shower floor elements**
- 55–58 Oder form for special models**

The Grumbach shower floor system:



- Stainless steel grate
- Sieve inlay frame with height adjuster
- Flange ring with 6 stainless steel screws
- Shower floor element made of PUR
- Siphon part 1: immersion pipe made of EPDM
- Siphon part 2: Sealing water container made of EPDM
- Ultra flat shower floor drain made of PUR (vertical or horizontal) incl. seal
- Support frame

Walk-in showers are becoming increasingly popular, not only wheelchair users, but also senior citizens, are tending towards using this type, as there is no threshold which could cause tripping. In addition, floor level showers allow a uniformed appearance in the bathroom – an important reason for their increased popularity. The shower floor can be optically integrated into the room completely. Matching tiles can then be fitted on the walls and floors.

For this reason, Grumbach has developed various **shower floor elements**, which can be installed on a robust base unit – **support frame** – with perfect fitting and without levelling fill or levelling screed.

The **innovative floor level shower system** from Grumbach consists of the following components:

- A. Shower floor elements made of PUR** are made of high-grade, CFC-free and extra stable Polyurethane integral rigid foam (PUR). They are not only heat and condensation water insulated, but also they are suitable for direct tiling. They distinguish themselves through their **high point load capacity** (> 300 kg/m²) and are therefore also **suitable for wheelchairs** even when tiled with mosaic tiles. Compatible with most shower floor elements, the bathroom drain made of PUR (as a horizontal or vertical version) is delivered with an odour trap made of hygienic EPDM.
- B. Bathroom drain made of PUR** vertical or horizontal, suitable to the shower floor element made of PUR
- C. The new support frame made of lacquered or galvanized tubular steel** is suitable for the secure assembly and easy installation of shower floor elements made of PUR.

- Pre-fabricated elements for building floor-level showers
- made of extra stable Polyurethane integral rigid foam (PUR)
- can be tiled directly

Shower floor elements made of PUR with central punctual drainage

Ultra flat and heavy duty!



Shower floor element "ultra flat" made of PUR 900x900x25 mm with central drain

■ Shower floor element "ultra flat" made of PUR with central drainage, without drain

■ 90x90 cm

Art.-No. 1803

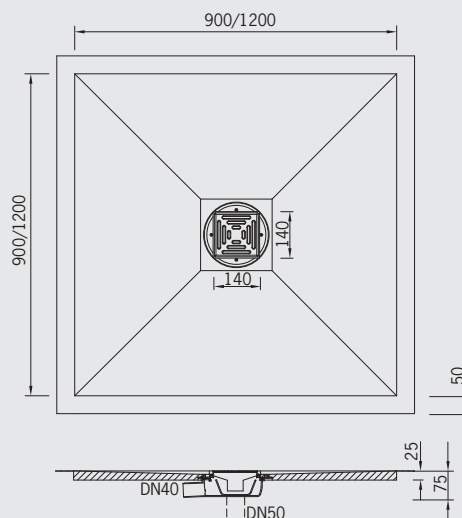
260,- €

■ 120x120 cm

Art.-No. 1804

340,- €

- made of high grade, CFC-free and extra stable Polyurethane integral rigid foam (PUR)
- heat and condensation insulated
- can be tiled directly
- **with high point load capacity, therefore also suitable for wheelchairs**
- with built in 4-sided slope
- **with extra low installation height!**
- with expanded, absolutely waterproof sealing foil with overlap, therefore reliable sealing of all of the connections (Floor/Floor, Floor/Wall)
- A connecting-sealing strip for the internal corners is included in the scope of delivery (Art-No. 1894).
- square-shaped 90 x 90 cm or 120 x 120 cm
- horizontal or vertical drain, **can be ordered separately, see page 46**
- Design grates made of stainless steel are available at extra charge, see page 46.
- **Special square or rectangular shapes as well as quarter-circles and pentagonal forms up to 120 x 120 cm can be supplied on request at extra cost (80,- €, Art.-No. 1899.0)! See order form on page 55.**



Scan the code and watch the **assembly video!**

Technical data	
Dimensions	900 x 900 x 25 mm
	1200 x 1200 x 25 mm
Height of the PUR panel	25 mm
Height with drain siphon (horizontal)	75 mm without use of adjustable feet 100 mm with adjustable feet (min.) 120 mm with adjustable feet (max.) Height of the adjustable feet: 55 mm
Drain connection	DN 40 horizontal DN 50 vertical
Drain capacity	0,7 l/s
Slope	ca. 2 %
Strength	ca. 350 kg/m ²
Density	ca. 400 kg/m ³
Tile height	8-45 mm
Inlet grate made of stainless steel	140x140 mm
Water sealing height	40 mm
Sealing strip overlap	50 mm

Please order separately:



The bathroom drain made of PUR, vertical or horizontal, suitable for the respective shower floor element (see page 46).



■ Bathroom drain made of PUR vertical DN 50

Art.-No. 1880 85,- €

- large water sealing volume due to large sealing water container made of EPDM
- with stainless steel grate 140x140 mm. Designer grate available at extra cost, see page 47)
- with new odour trap made of hygienic EPDM
- all individual parts of the odour trap can be easily removed and cleaned

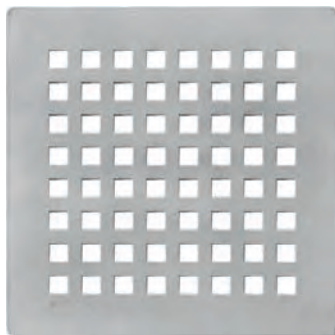


■ Bathroom drain made of PUR horizontal DN 40

Art.-No. 1881 95,- €

- large water sealing volume due to large sealing water container made of EPDM
- with stainless steel grate 140x140 mm. Designer grate available at extra cost, see page 47)
- with new odour trap made of hygienic EPDM
- all individual parts of the odour trap can be easily removed and cleaned

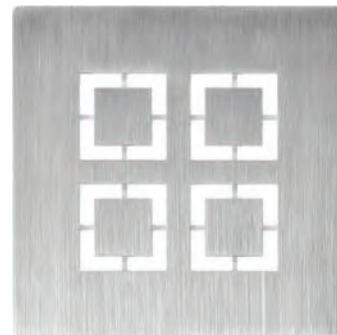
Shower floor systems



■ Design grate "8x8" made of stainless steel

Art.-No. 1843.8x8 (extra charge) 120,- €

- as accessory for the bathroom drains made of PUR



■ Design grate "2x2" made of stainless steel

Art.-No. 1843.2x2 (extra charge) 120,- €

- as accessory for the bathroom drains made of PUR

- Pre-fabricated elements for building floor-level showers
- made of extra stable Polyurethane integral rigid foam (PUR)
- can be tiled directly

■ Shower floor elements made of PUR with eccentric punctual drainage

Ultra flat and heavy duty!



Shower floor element "ultra flat" made of PUR 900x900x25 mm with eccentric drainage

■ Shower floor element "ultra flat" made of PUR with eccentric drainage, without drain

■ 90x90 cm

Art.-No. 1843

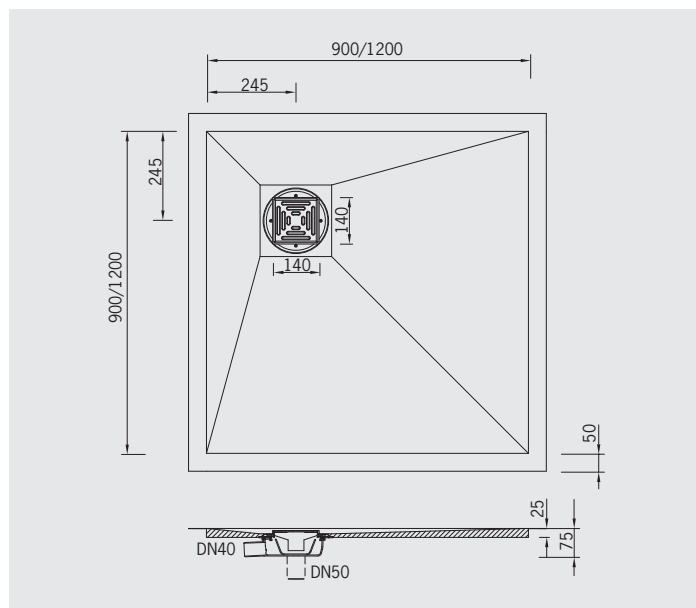
280,- €

■ 120x120 cm

Art.-No. 1844

360,- €

- made of high grade, CFC-free and extra stable Polyurethane integral rigid foam (PUR)
- heat and condensation insulated
- can be tiled directly
- **with high point load capacity, therefore also suitable for wheelchairs**
- with built in 4-sided slope
- **with extra low installation height!**
- with expanded, absolutely waterproof sealing foil with overlap, therefore reliable sealing of all of the connections (Floor/Floor, Floor/Wall)
- A connecting-sealing strip for the internal corners is included in the scope of delivery (Art.No. 1894).
- square-shaped 90 x 90 cm or 120 x 120 cm
- horizontal or vertical drain, **can be ordered separately, see page 46**
- Design grates made of stainless steel are available at extra charge, see page 46.
- **Special shapes can be supplied on request at extra cost (80,- €, Art.-No. 1899.0)! See order form on page 56.**



Technical data

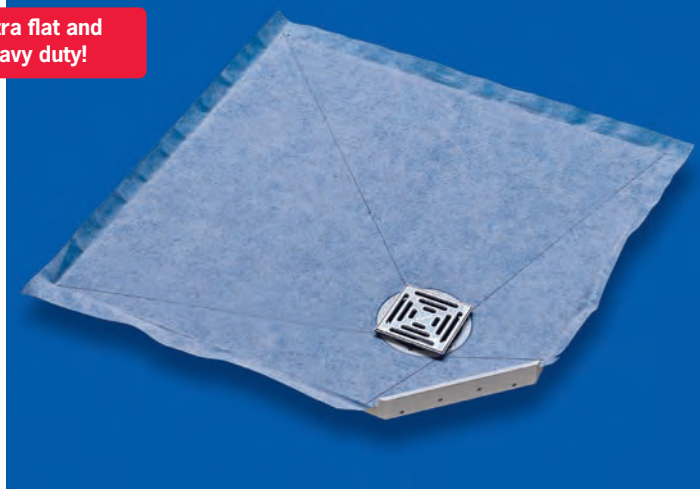
Dimensions	900 x 900 x 25 mm
	1200 x 1200 x 25 mm
Height of the PUR panel	25 mm
Height with drain siphon (horizontal)	75 mm without use of adjustable feet
	100 mm with adjustable feet (min.)
	120 mm with adjustable feet (max.) Height of the adjustable feet: 55 mm
Drain connection	DN 40 horizontal DN 50 vertical
Drain capacity	0,7 l/s
Slope	ca. 2 %
Strength	ca. 350 kg/m ²
Density	ca. 400 kg/m ³
Tile height	8-45 mm
Inlet grate made of stainless steel	140x140 mm
Water sealing height	40 mm
Sealing strip overlap	50 mm

Please order separately:



The bathroom drain made of PUR, vertical or horizontal, suitable for the respective shower floor element (see page 46).

Ultra flat and heavy duty!



Corner shower floor element "ultra flat" made of PUR 900x900x25 mm with decentral drainage, suitable for the corner installation panel made of PUR

■ **Corner shower floor element "ultra flat" made of PUR with eccentric drainage, without drain, suitable for the corner installation panel made of PUR**

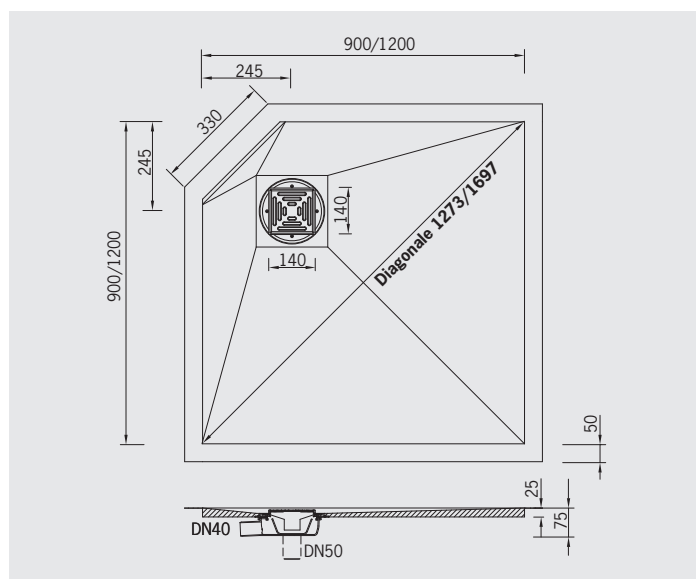
■ **90x90 cm**

Art.-No. 1836 290,- €

■ **120x120 cm**

Art.-No. 1834 370,- €

- made of high grade, CFC-free and extra stable Polyurethane integral rigid foam (PUR)
- heat and condensation insulated
- can be tiled directly
- **with high point load capacity, therefore also suitable for wheelchairs**
- with built in 4-sided slope
- **with extra low installation height!**
- with expanded, absolutely waterproof sealing foil with overlap, therefore reliable sealing of all of the connections (Floor/Floor, Floor/Wall)
- A connecting-sealing strip for the internal corners is included in the scope of delivery (Art-No. 1894).
- square-shaped 90 x 90 cm or 120 x 120 cm
- horizontal or vertical drain, **can be ordered separately, see page 46**
- Design grates made of stainless steel are available at extra charge, see page 46.
- **Special shapes can be supplied on request at extra cost (80,- €, Art.-No. 1899.0)! See order form on page 57.**



Technical data	
Dimensions	900 x 900 x 25 mm 1200 x 1200 x 25 mm
Height of the PUR panel	25 mm
Height with drain siphon (horizontal)	75 mm without use of adjustable feet 100 mm with adjustable feet (min.) 120 mm with adjustable feet (max.) Height of the adjustable feet: 55 mm
Drain connection	DN 40 horizontal DN 50 vertical
Drain capacity	0,7 l/s
Slope	ca. 2 %
Strength	ca. 350 kg/m ²
Density	ca. 400 kg/m ³
Tile height	8-45 mm
Inlet grate made of stainless steel	140x140 mm
Water sealing height	40 mm
Sealing strip overlap	50 mm

Please order separately:



The bathroom drain made of PUR, vertical or horizontal, suitable for the respective shower floor element (see page 46).

- Pre-fabricated elements for building floor-level showers
- made of extra stable Polyurethane integral rigid foam (PUR)
- can be tiled directly

■ Corner installation panel made of PUR, for shower fittings



■ Corner installation panel made of PUR for shower fittings

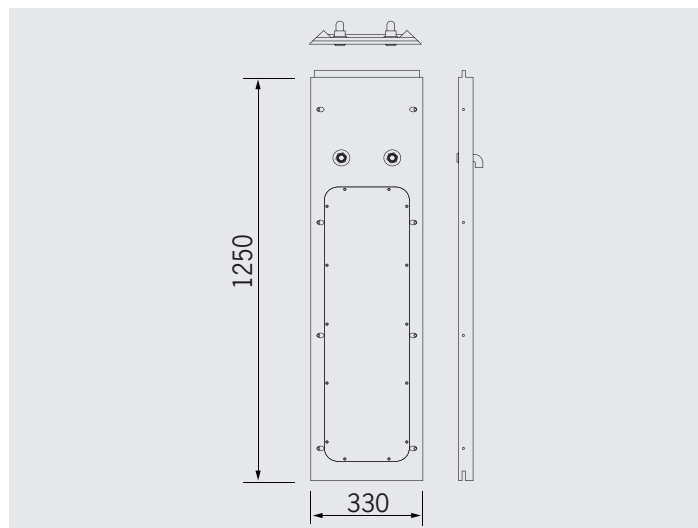
Art.-No. 1833

225,- €

- suitable for all Grumbach corner shower floor elements
- made of high grade, CFC-free and extra stable Polyurethane integral rigid foam (PUR)
- heat and condensation insulated, 100% waterproof
- can be tiled directly
- 2 parts (fitted together to room height). **Please mention the room height when ordering (max. height 250 cm).**
- with absolutely waterproof sealing foil for reliable wall connection
- with sealant, 300 ml cartridge (Art.-No. 1898)
- with two revision ducts for a simple connection and easy access to water and wastewater installation
- with two wall access points 1/2" for pre-wall fittings or with built-in skeleton
- construction set for concealed fittings is available at extra cost at the customer's request
- with fastening material

Minimum effort – maximum effect!

- **Simple assembly:**
Grooving the water pipe into the wall is no longer necessary!
- **Better optics and better soundproofing**
through corner pre-wall installation
- **Maximum shower enjoyment** through "diagonal showering"!



High point load capacity even at great surface!

Suitable for wheelchairs!

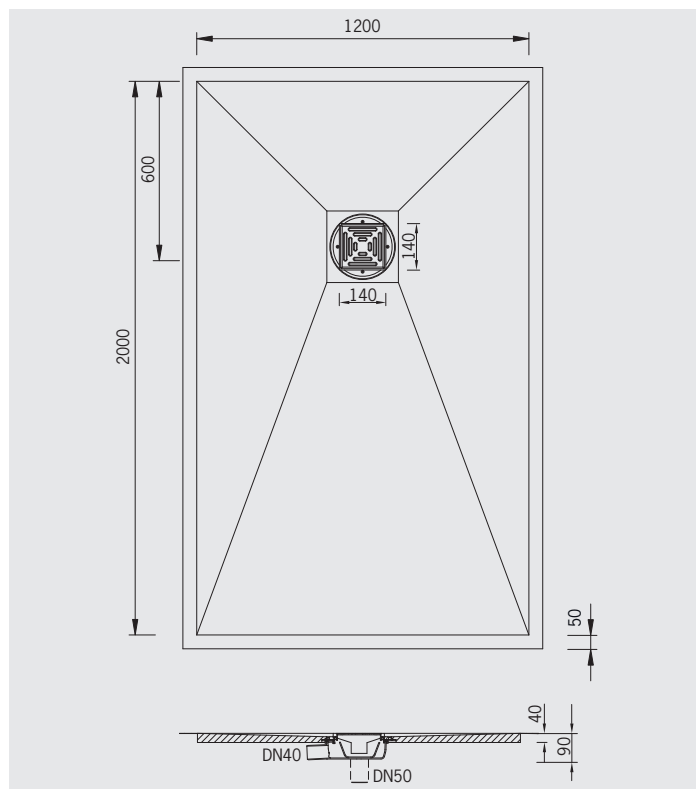


Shower floor element made of PUR 120x200 cm with eccentric drainage, without drain

Art.-No. 1845

570,- €

- made of high grade, CFC-free and extra stable Polyurethane integral rigid foam (PUR)
- heat and condensation insulated
- can be tiled directly
- with high point load capacity, therefore also suitable for wheelchairs**
- with built in 4-sided slope
- with extra low installation height!**
- with expanded, absolutely waterproof sealing foil with overlap, therefore reliable sealing of all of the connections (Floor/Floor, Floor/Wall)
- A connecting-sealing strip for the internal corners is included in the scope of delivery (Art-No. 1894).
- horizontal or vertical drain, **can be ordered separately, see page 46**
- Design grates made of stainless steel are available at extra charge, see page 46.
- Special shapes can be supplied on request at extra cost (80,- €, Art.-No. 1899.0)! See order form on page 58.**



Technical data

Dimensions	1200x2000x40 mm
Height with drain siphon (horizontal)	90 mm without use of adjustable feet 115 mm with adjustable feet (min.) 135 mm with adjustable feet (max.) Height of the adjustable feet: 55 mm
Drain connection	DN 40 horizontal DN 50 vertical
Drain capacity	0,7 l/s (DN 50) / 0,7 l/s (DN 40)
Slope	ca. 2 %
Strength	ca. 350 kg/m ²
Density	ca. 400 kg/m ³
Tile height	8-45 mm
Inlet grate made of stainless steel	140x140 mm
Water sealing height	40 mm
Sealing strip overlap	50 mm

Please order separately:

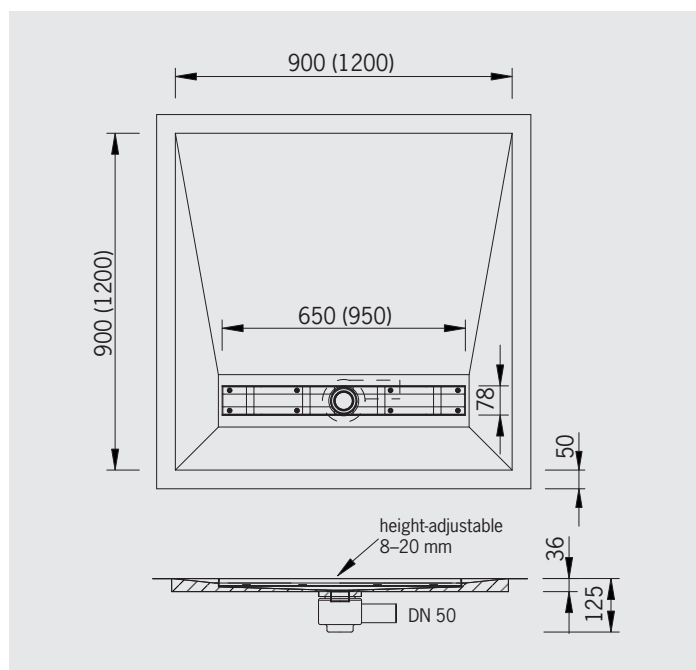
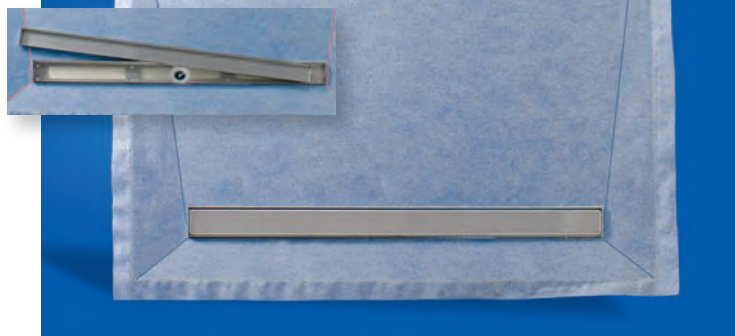


The bathroom drain made of PUR, vertical or horizontal, suitable for the respective shower floor element (see page 46).

Shower floor elements made of PUR with channel drainage

High point load capacity!

Suitable for wheelchairs!



Shower floor element made of PUR 90x90 cm with drainage channel 650 mm long

Art.-No. 1820 475,- €

Shower floor element made of PUR 120x120 cm with drainage channel 950 mm long

Art.-No. 1825 595,- €

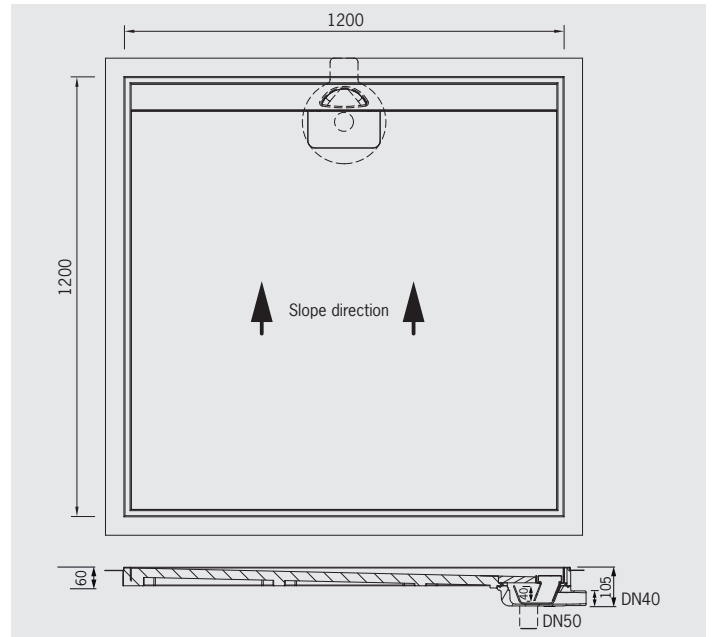
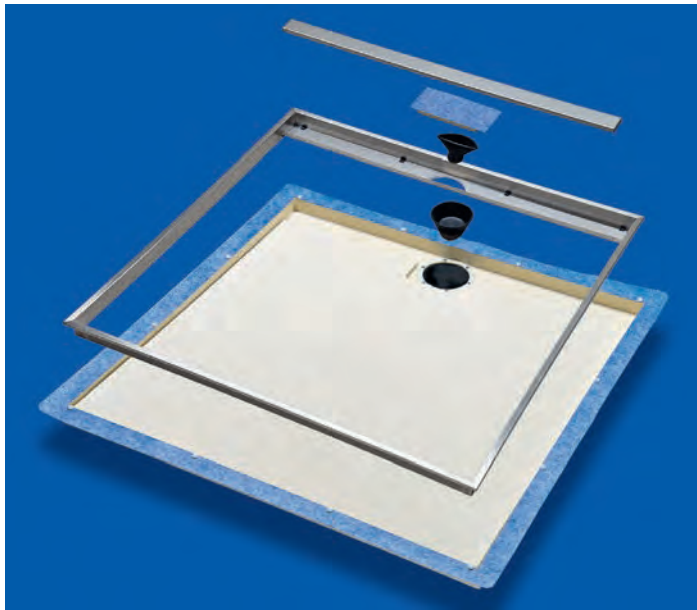
- made of high grade, CFC-free and extra stable Polyurethane integral rigid foam (PUR)
- heat and condensation insulated, 100% waterproof
- can be tiled directly
- with high point load capacity, therefore also suitable for wheelchairs**
- with horizontal drain DN 50, manufacturer SANIT, and drainage channel 650 bzw. 950x78 mm, made of stainless steel
- with stainless steel drain cover with drain groove (closed from above or can be tiled when turned)
- with drain siphon, lock screw and siphon seal
- with built-in slope
- with low installation height
- with expanded, absolutely waterproof sealing foil with overlap, therefore reliable sealing of all of the connections (Floor/Floor, Floor/Wall)
- A connecting-sealing strip for the internal corners is included in the scope of delivery (Art.No. 1894).
- square-shaped 90 x 90 cm or 120 x 120 cm (can be shortened in the factory by request)
- Special shapes can be supplied on request at extra cost (75,- €, Art.-No. 1899.0)! See page 58.**

Technical data		
Dimensions	900 x 900 x 36 mm	1200 x 1200 x 36 mm
Sealing strip overlap	50 mm	50 mm
Height with drain siphon	125 mm	125 mm
Drain connection	DN 50 waagerecht	DN 50 waagerecht
Drain capacity	0,7 l/s	0,7 l/s
Slope	ca. 2 %	ca. 2 %
Strength	ca. 350 kg/m ²	ca. 350 kg/m ²
Density	ca. 400 kg/m ³	ca. 400 kg/m ³
Tile height	8-20 mm	8-20 mm
Inlet grate made of stainless steel	650x78 mm	950x78 mm
Water sealing height	50 mm	50 mm

Extra cost for design channel

Art.-No. 1829.1 300,- €





■ Shower floor element made of PUR 120x120 cm complete with channel drainage and height-adjustable side panel, without drain

Art.-No. 1821 725,- €

- **Absolutely waterproof and protection against flooding based on the tub-like construction!**
- made of high grade, CFC-free and extra stable Polyurethane integral rigid foam (PUR)
- heat and condensation insulated, 100% waterproof
- can be tiled directly
- **drain channel with complete surrounding, height-adjustable side panel made of stainless steel. For covering height from approx. 6–18 mm.**
- with stainless steel drain cover with drain groove (closed from above or can be tiled when turned)
- horizontal or vertical drain, **can be ordered separately, see page 46**
- with expanded, absolutely waterproof sealing foil with overlap, therefore reliable sealing of all of the connections (Floor/Floor, Floor/Wall)

■ Extra cost for stainless steel cover grate "Design"

Art.-No. 1821.DD 330,- €



■ Extra cost for cutting of the shower floor element

Art.-No. 1821.Zu 230,- €

suitable for Art.-No. 1821

See order form regarding special configurations, page 58.

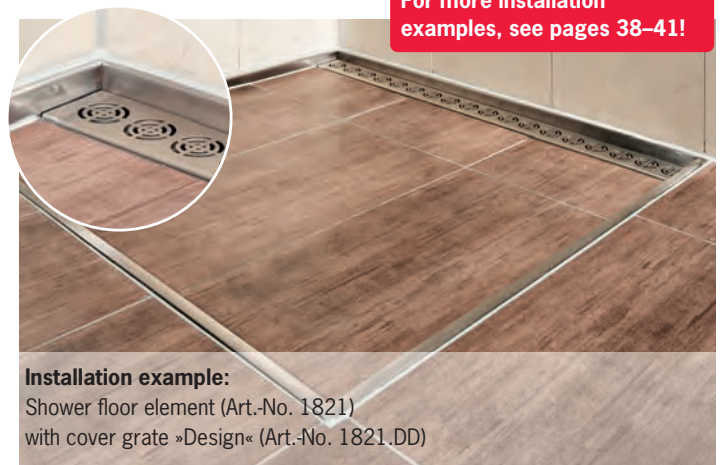
Technical data	
Dimensions	1200x1200x60 mm
Sealing strap overlap	50 mm
Installation height vertical drain	60 mm
Installation height horizontal drain	105 mm
Drain connection	DN 50 vertical/DN 40 horizontal
Drain capacity	0,7 l/s (DN 50) / 0,7 l/s (DN 40)
Slope	ca. 1,3° / ≈2%
Tile height	6–18 mm
Water sealing height	40 mm



The Innovation!

By using flexible EPDM, it is possible to remove and clean parts such as the water seal container and immersion pipe through the smaller opening in the narrow drain channel!

For more installation examples, see pages 38–41!

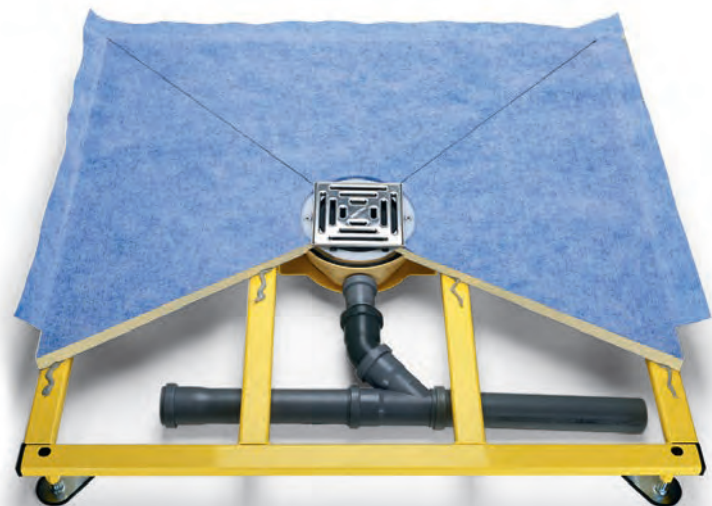


Installation example:

Shower floor element (Art.-No. 1821)
with cover grate »Design« (Art.-No. 1821.DD)

- Pre-fabricated elements for floor-level showers
- made of high grade, CFC-free and extra stable Polyurethane integral rigid foam (PUR)
- can be tiled directly

■ Support frame for shower floor elements made of lacquered or galvanized tubular steel



- **Yellow lacquered or galvanized tubular steel frame with adjustable feet and bracket for a Grumbach shower floor drain**

- **Support frame 90x90 cm (10 adjustable feet)**

Art.-No. 1814.90 405,- €

- **Support frame 120x120 cm (18 adjustable feet)**

Art.-No. 1814.120 545,- €

- **Support frame special size up to 90x90 cm (max. 10 adjustable feet)**

Art.-No. 1814.90.SON 425,- €

- **Support frame special size up to 120x120 cm (max. 18 adjustable feet)**

Art.-No. 1814.120.SON 565,- €

- **Support frame special size up to 120x200 cm (max. 24 adjustable feet)**

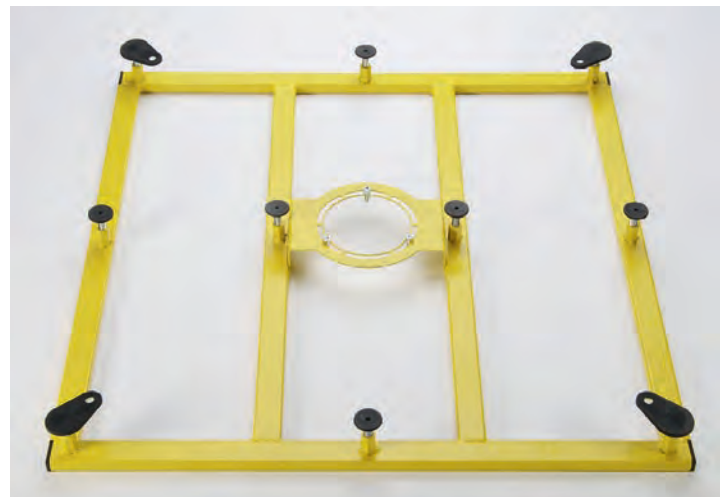
Art.-No. 1814.200.SON 695,- €

When ordering, please mention the article number of the shower floor element used.

- suitable for all Grumbach shower floor elements
- **very flat construction** for the optimal and simple mounting of shower floor elements
- simple mounting and plumbing of the Grumbach shower floor drain under the shower floor element
- suitable for vertical and horizontal drains
- a lot of room for the plumbing of the drainpipes
- with stable height-adjustable feet M12 for simple positioning and for fastening to the floor
- de-coupled from structure-borne sound due to rubber on the adjustable feet
- including mounting adhesive for sticking to the corresponding shower floor element



Scan the code and watch the **assembly video** for Grumbach shower floor elements!



Support frame for shower floor elements 90x90 cm, yellow lacquered, with 10 adjustable feet, bottom view



Support frame for shower floor elements 90x90 cm, galvanized, with 10 adjustable feet, view from above

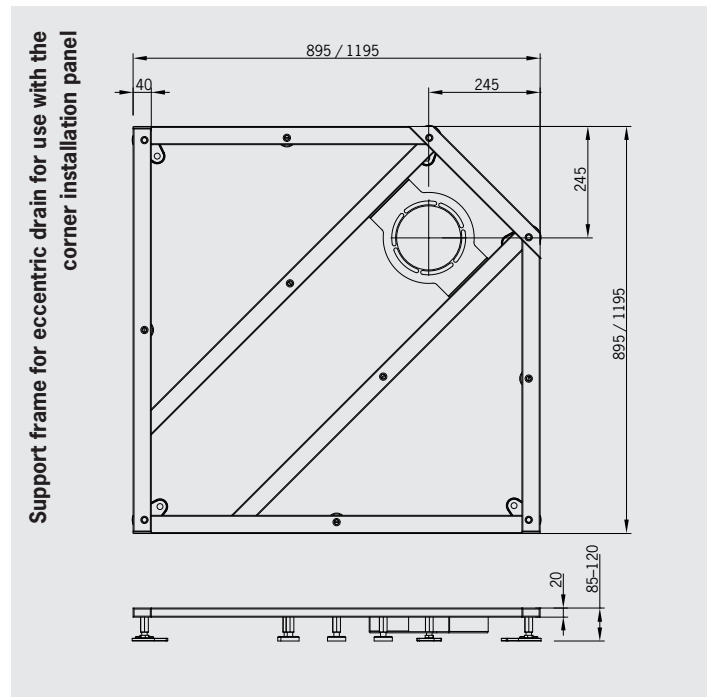
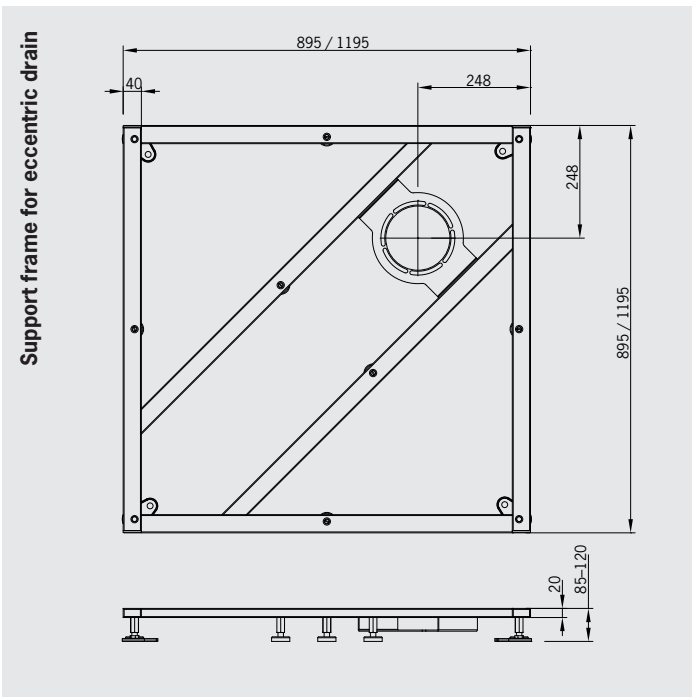
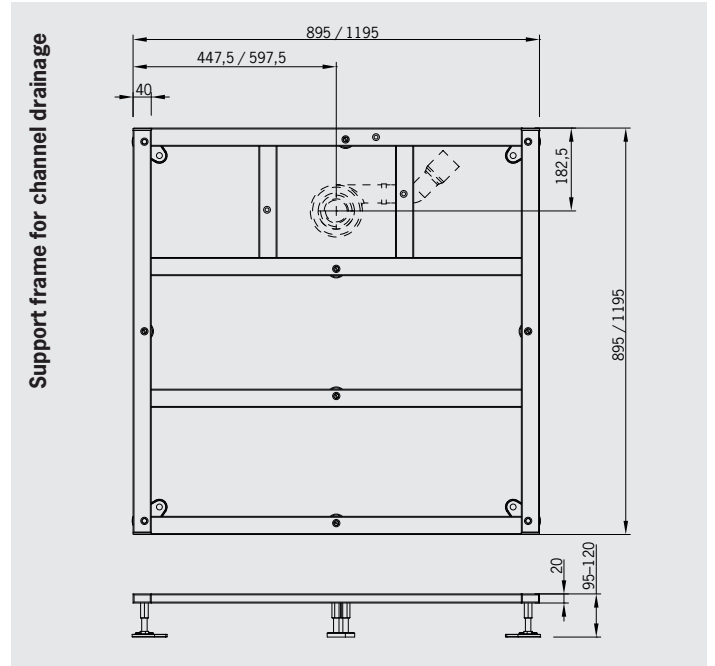
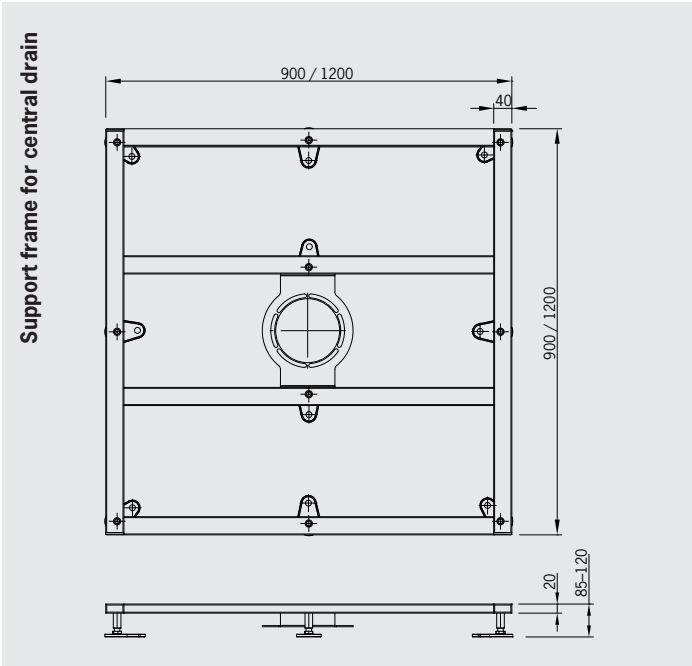
Shower floor systems



Bracket for the shower floor drain



Adjustable feet for simple positioning and fastening: with layer of rubber for the de-coupling of structure-borne noise. The number of adjustable feet depends on the frame size.



Extra cost for special

for shower floor elements made of PUR

Art.-No. 1899.0 80,-



Connecting sealing strips and adhesive cartridge

Adhesive for sealing strips, 300 ml cartridge

Art.-No. 1898 net price 25,- €

Connecting sealing strip 12 cm width

Art.-No. 1890 net price 12,- €/m

Connecting sealing strip angled 6x6 cm

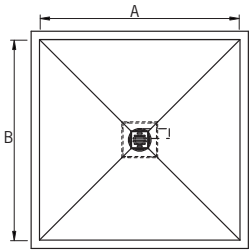
Art.-No. 1891 net price 12,- €/m

Connecting sealing strip inside corner

Art.-No. 1894 net price 12,- €

Connecting sealing strip outside corner

Art.-No. 1895 net price 12,- €



Size A:

Size B:

Size A and Size B max. 120 cm

Shower floor element (PUR)

with central drain

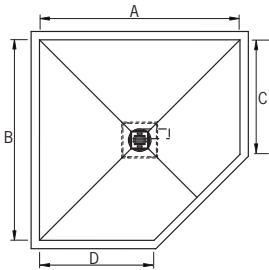
vertical

horizontal

Support frame

Enquiry

Order



Size A:

Size B:

Size C:

Size D:

Size A and Size B max. 120 cm

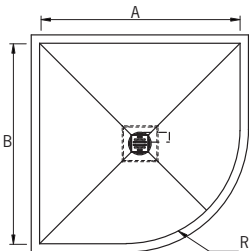
Shower floor element (PUR)

with central drain

vertical

horizontal

Support frame



Size A:

Size B:

Size R:

Size A and Size B max. 120 cm

Shower floor element (PUR)

with central drain

vertical

horizontal

Support frame

Please note:

All Grumbach shower floor elements have a 5 cm wide **sealing foil cover**.

Through the cutting of the Grumbach shower floor element, the ends of the sloping lines no longer end in the corners of the elements. After cutting, the surrounding edge of the shower element is no longer of uniform height. This can be remedied on site with the corresponding tile adhesive.

The support frames only fit onto the Grumbach shower floor elements.

Please fill in the fields:

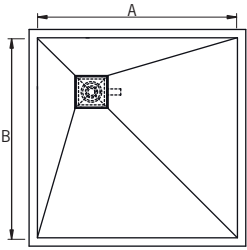
Sender/Stamp

Contact person

Telephone

Telefax

Date/Signature



Size A:

Size B:

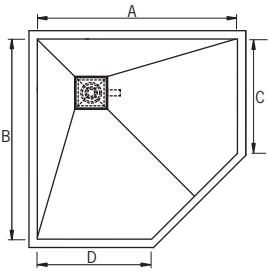
Size A and Size B max. 120 cm

- Shower floor element (PUR)**
with eccentric drain horizontal vertical

Enquiry

Order

- Support frame**



Size A:

Size B:

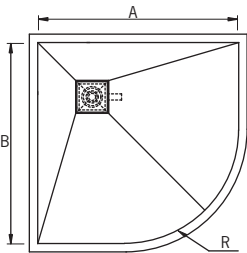
Size C:

Size D:

Size A and Size B max. 120 cm

- Shower floor element (PUR)**
with eccentric drain horizontal vertical

- Support frame**



Size A:

Size B:

Size R:

Size A and Size B max. 120 cm

- Shower floor element (PUR)**
with eccentric drain horizontal vertical

- Support frame**

Shower floor systems

Please note:

All Grumbach shower floor elements have a 5 cm wide **sealing foil cover**.

Through the cutting of the Grumbach shower floor element, the ends of the sloping lines no longer end in the corners of the elements. After cutting, the surrounding edge of the shower element is no longer of uniform height. This can be remedied on site with the corresponding tile adhesive.

The support frames only fit onto the Grumbach shower floor elements.

Please fill in the fields:

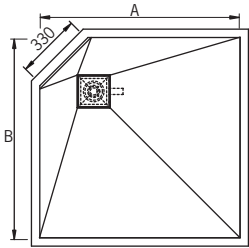
Sender/Stamp

Contact person

Telephone

Telefax

Date/Signature



Size A:

Size B:

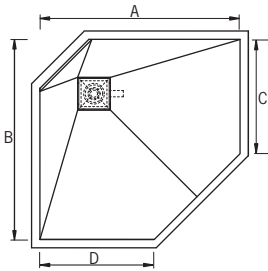
Size A and Size B max. 120 cm

- Corner** shower floor element (PUR)
 - with eccentric drain horizontal vertical
 - with **corner installation panel** for shower fittings, height _____ cm
 - with 2 wall access points 1/2" for pre-wall fittings
 - with built-in skeleton for concealed fittings

Enquiry

Order

Support frame



Size A:

Size B:

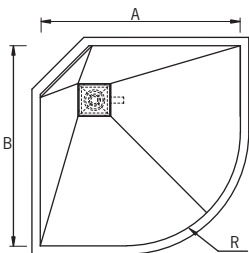
Size C:

Size D:

Size A and Size B max. 120 cm

- Corner** shower floor element (PUR)
 - with eccentric drain horizontal vertical
 - with **corner installation panel** for shower fittings, height _____ cm
 - with 2 wall access points 1/2" for pre-wall fittings
 - with built-in skeleton for concealed fittings

Support frame



Size A:

Size B:

Size R:

Size A and Size B max. 120 cm

- Eck-Shower** floor element (PUR)
 - with eccentric drain horizontal vertical
 - with **corner installation panel** for shower fittings, height _____ cm
 - with 2 wall access points 1/2" for pre-wall fittings
 - with built-in skeleton for concealed fittings

Support frame

Please note:

All Grumbach shower floor elements have a 5 cm wide **sealing foil cover**.
 Through the cutting of the Grumbach shower floor element, the ends of the sloping lines no longer end in the corners of the elements. After cutting, the surrounding edge of the shower element is no longer of uniform height. This can be remedied on site with the corresponding tile adhesive.

The support frames only fit onto the Grumbach shower floor elements.

Please fill in the fields:

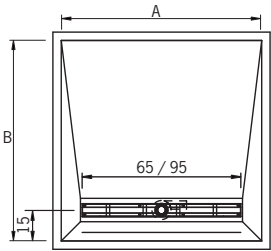
Sender/Stamp

Contact person

Telephone

Telefax

Date/Signature



Size A:

Size B:

Size A max. 120 cm, min. 70 cm
Size B max. 120 cm

Shower floor element (PUR)

with stainless steel channel drain
(only horizontal drainage ist possible)

Support frame

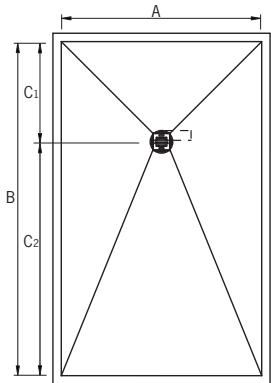
Enquiry

Order

Please note:

All Grumbach shower floor elements have a 5 cm wide **sealing foil cover**. Through the cutting of the Grumbach shower floor element, the ends of the sloping lines no longer end in the corners of the elements. After cutting, the surrounding edge of the shower element is no longer of uniform height. This can be remedied on site with the corresponding tile adhesive.

The support frames only fit onto the Grumbach shower floor elements.



Size A:

Size B:

Size C₁:

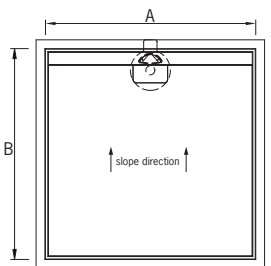
Size C₂:

Size A max. 120 cm, Size B max. 200 cm
Size C₁ max. 60 cm, Size C₂ max. 140 cm
The drain is always centered to Size A.
Size C₁ and C₂ added must be Size B (C₁ + C₂ = B).

Shower floor element (PUR)

with eccentric drain
 vertical horizontal

Support frame



Size A:

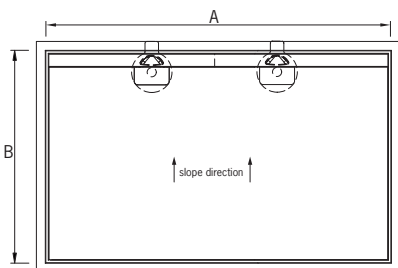
Size B:

Size A max. 120 cm
Size B max. 120 cm

Shower floor element (PUR)

with channel drain and height-adjustable side panel
with channel drain vertical DN 50
 horizontal DN 40

Support frame



Size A:

Size B:

Size A: max. 200 cm; upwards 120 cm with 2 drains and sliced drain cover

Size B: min. 80 cm, max. 120 cm, only possible in 5 cm intervals

Shower floor element (PUR)

with channel drain and height-adjustable side panel
with channel drain vertical DN 50
 horizontal DN 40

Support frame

Please fill in the fields:

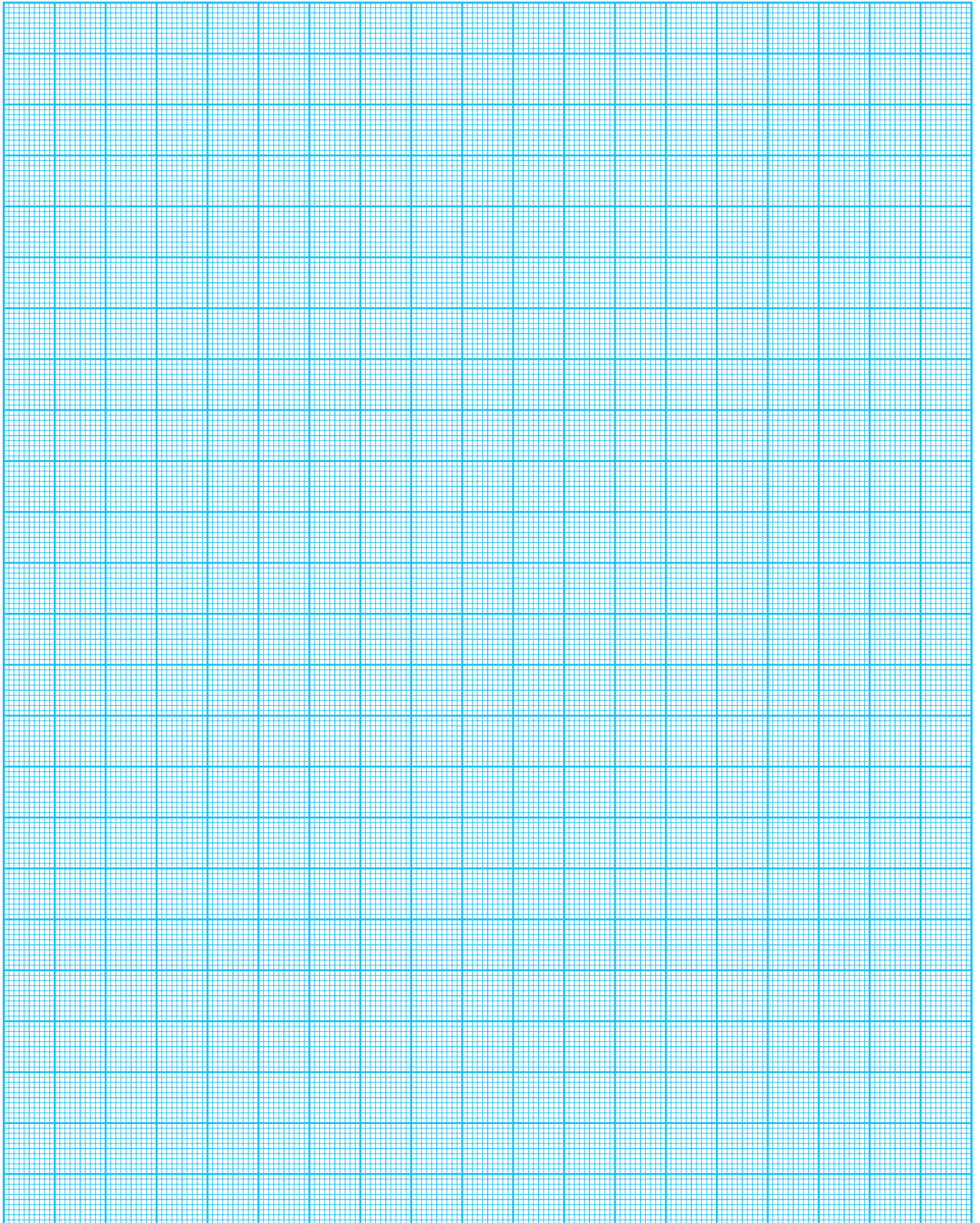
Sender/Stamp

Contact person

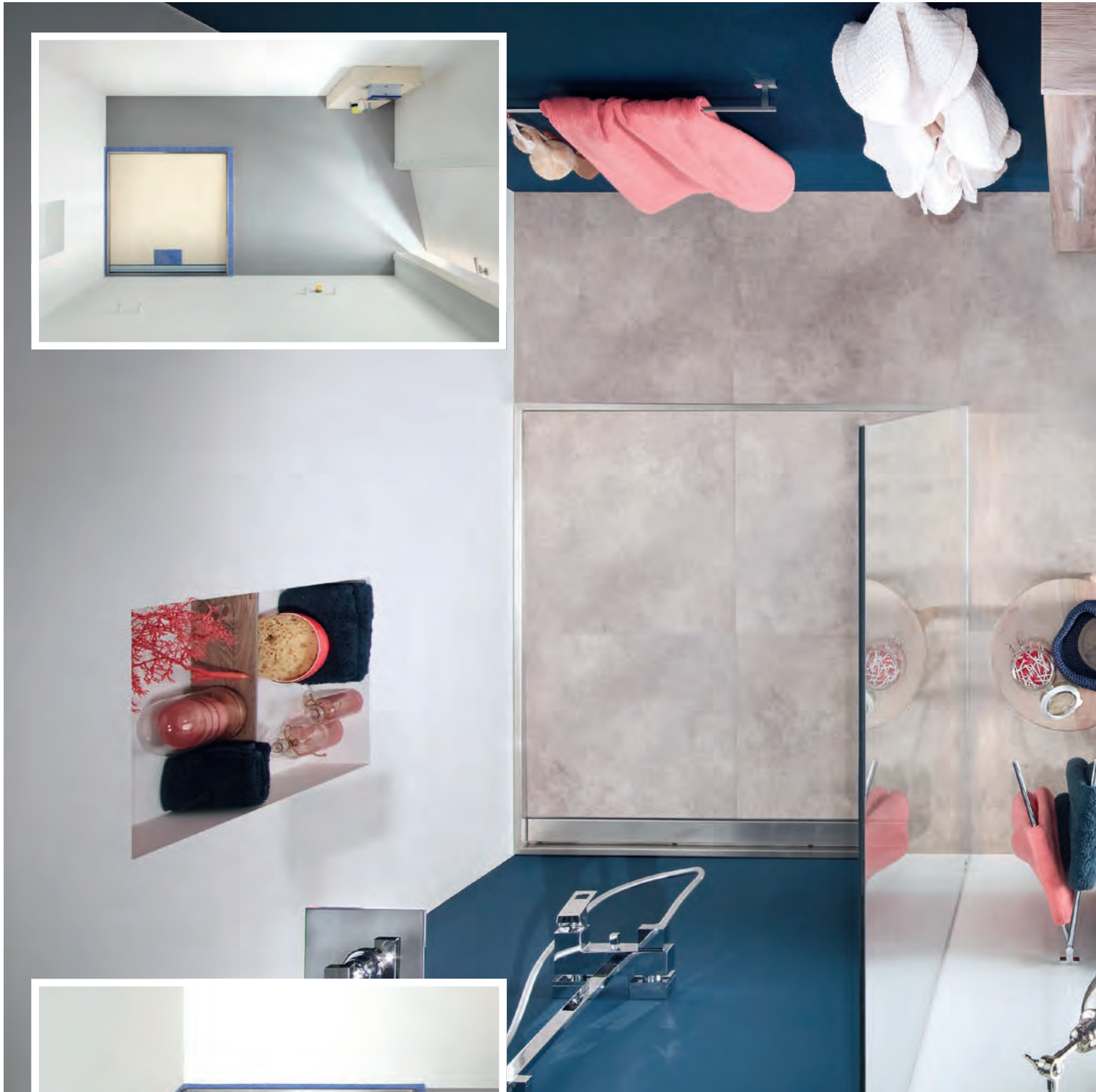
Telephone

Telefax

Date/Signature

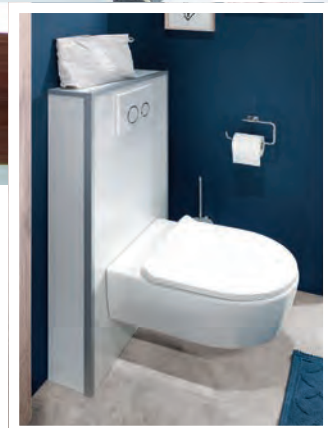


■ Standard bathroom



The **shower floor element made of PUR 120 x 120 cm with channel drainage and height-adjustable side panel (Art. No. 1821)** enables a bathroom design with a spacious, floor-level shower area. The tub-like design of the shower floor is absolutely watertight and, with the adjustable side panel, allows it to be adapted to different floor heights.

When it looks good in the bathroom, there often is a Grumbach sanitary product behind it.



With **Grumbach sanitary blocks**, a quick and easy pre-wall installation is possible. The **Grumbach WC-block 100 cm high (Art.-No. 1402.N)** is a model from Grumbach's line of pre-wall installation elements. WC-blocks are available in heights from 78 to 110 cm and different depths. In this example, it is covered with white decorative panels and equipped with the Sigma 20 flush panel from Geberit®.

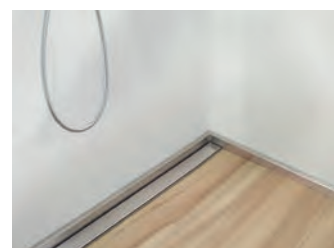
■ Narrow bathroom, width 90 cm



Even a “tubular bath” that is only 90 cm wide can be sensibly designed with the innovative Grumbach sanitary products. With the **shower floor element made of PUR with channel drainage and height-adjustable side panel**, the width of the room is used for a floor-level shower.

The Grumbach **SLIM block in the 15° complete set** ensures an unprecedented, stable and space-saving toilet installation. The **Grumbach wash-basin block** can be reduced to a depth of just 12.5 cm, as shown here, and nestles closely against the wall. A fully-fledged bathroom with a width of only 90 cm!

Narrow bathroom, width 120 cm



■ For all Grumbach sanitary blocks, see pages 3–37, find the shower floor elements from page 43.

With Grumbach sanitary products, an attractive bathroom design is possible even in tight spaces. In this example of a bathroom that is only about 120 cm wide, a **shower floor element made of PUR 120 x 120 cm with channel drainage and height-adjustable side panel (Art. No. 1821)** is used in conjunction with a **corner WC-block 108 cm high (Art. No. 1301.III)**. Thanks to the space-saving WC installation, there is still enough freedom of movement despite the spacious shower, even in this “tubular bath”.

■ Main bathroom an “attic bathroom”



Grumbach sanitary blocks also cut a fine figure in spacious bathrooms. The corner WC-block fits perfectly into the airy appearance. The space-saving toilet installation creates space for bathroom designs as desired.



An unused attic becomes an “oasis”. The available low heights of the **Grumbach corner WC-block** allow installation on the jamb. The spacious, floor-level shower area is realized with the help of the **120 x 120 cm shower floor element made of PUR with channel drainage and height-adjustable side panels**.

updated 2022



1 Team North

Sales representative:
Siegfried Lang

Phone: +49 6441 97 72-29
Mobile: +49 1 63) 4 97 72 00
E-Mail: ad3@grumbach.net
Zip code area: 0 complete,
1 complete, 2 complete,
30-34, 37-39, 4 complete,
50-52, 57-59



Technical advice:

Christopher Jung

Bachelor of Engineering
Phone: +49 6441 97 72-52
E-Mail: ch.jung@grumbach.net

Karl Grumbach GmbH & Co. KG
Breitteilsweg 3 · 35581 Wetzlar
GERMANY

Phone +49 6441 97 72 0
Telefax +49 6441 97 72 20
www.grumbach.net
grumbach@grumbach.net

1 Team South

Sales representative:
Jörg Grumbach

Phone: +49 6441 97 72-19
Mobile: +49 1 63 4 97 72 01
E-Mail: ad1@grumbach.net
Zip code area: 53-56,
6 complete, 7 complete,
8 complete, 9 complete



Technical advice:

Jan-Niclas Münch

Bachelor of Engineering
Phone: +49 6441 97 72-53
Mail: j.muench@grumbach.net

Grumbach – is near you



1938-2018
80
JAHRE

Karl Grumbach GmbH & Co. KG

Breiteilsweg 3 · 35581 Wetzlar

GERMANY

Phone +49 64 41 97 72 0

Telefax +49 64 41 97 72 20

www.grumbach.net

grumbach@grumbach.net

Distributed by: