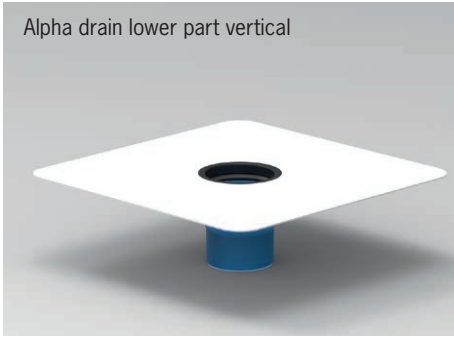
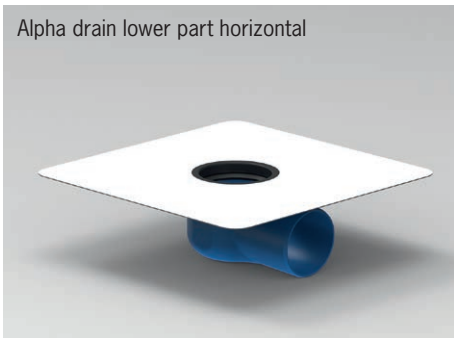


Alpha drain (formerly known as Eco drain) with new supplements and accessories

Alpha drain lower part vertical



Alpha drain lower part horizontal



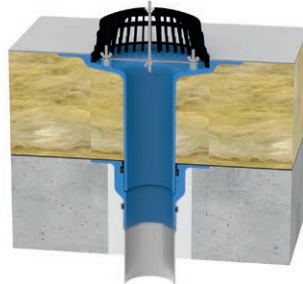
Alpha drain upper part



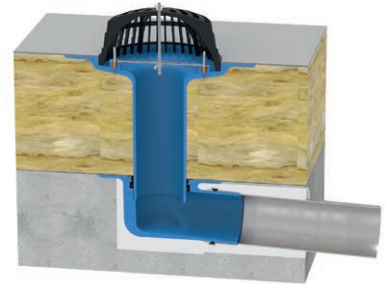
The Alpha drain made of PUR – an awesome two-piece made of high-quality, CFC-free polyurethane rigid integral foam (PUR). Maximum drainage with minimal ceiling openings.

- The lower part of the drain has only the maximum necessary diameter for every available nominal DN size and therefore only requires minimal ceiling openings.
- Each drain lower part has a push-in sleeve on the top with the same DN nominal width as its socket diameter.
- This gives the drain upper part a secure and firm hold as well as absolute back-flow protection and allows many flexible uses.
- The upper part of the drain has both a long outlet connection in DN nominal width for high insulation thicknesses and a flat inlet plate for low insulation structures.
- The inlet area, which is uniformly large for all nominal widths, ensures a high drainage capacity.
- With an extra large and stable pebble trap to protect the rainwater downpipes from clogging.
- The use of upper and lower parts of the drain independently of each other also allows a wide range of possible uses due to the consistent design in DN nominal widths.
- Available with all standard roofing membrane connection sleeves.

Installation example



Alpha drain lower part vertical with inserted upper part in the warm roof.

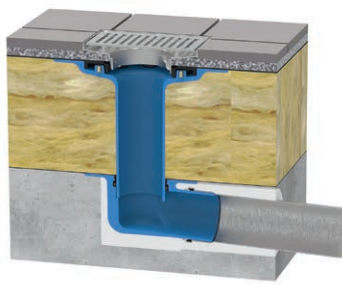


Alpha drain lower part horizontal with inserted upper part in the warm roof.

Accessories



Alpha adapter ring made of PUR for the Alpha drain, upper part



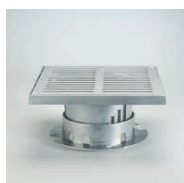
Alpha drain upper part in conjunction with drain adapter ring and walk-on terrace construction kit in the warm roof with terrace structure

- The Alpha adapter ring is inserted into the upper part of the Alpha drain and is used to accommodate either terrace construction kits or insert screens with a precise fit.

Compatible accessories for the Alpha adapter ring



Terrace construction kit, can be walked on (black)
complete with end grating, height adjustable 60–170 mm. Also available with odour trap. The odour trap significantly reduces the drain capacity!
Art.Nr. 5902



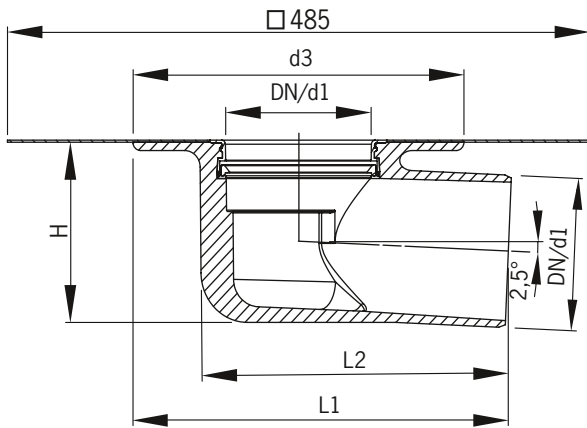
Terrace construction kit, can be walked on
with height adjustment ring, height adjustable 35–115 mm
Art.Nr. 5900



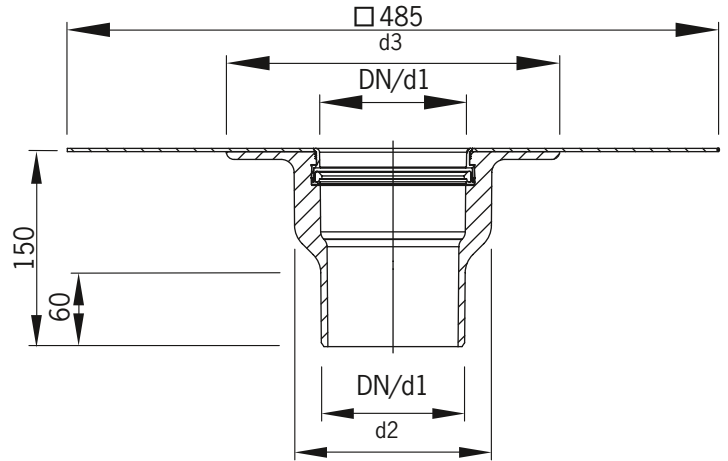
Round insert sieve made of stainless steel
diameter: 160 mm
Art.Nr. 3449.S

Technical Data

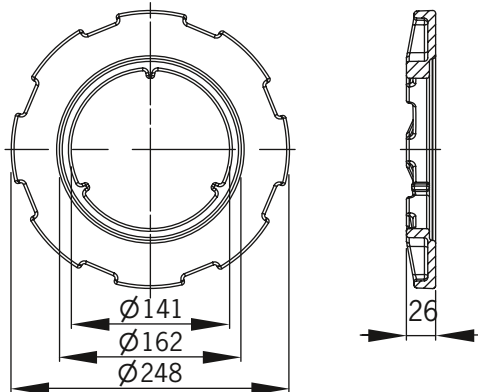
Lower part horizontal



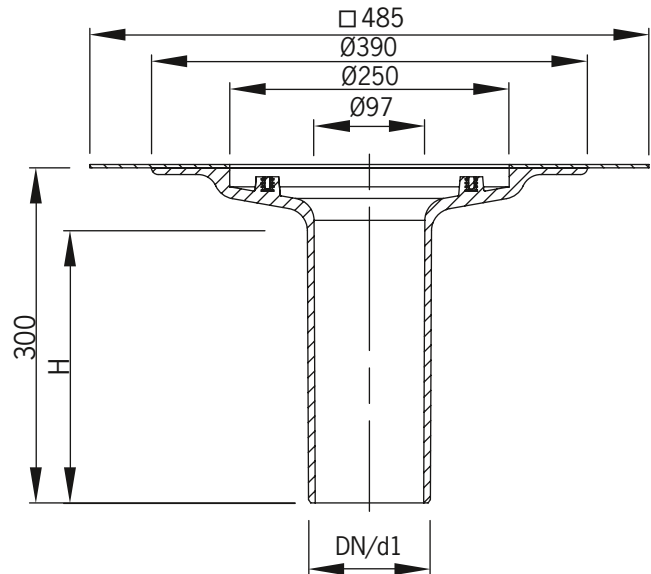
Lower part vertical



Alpha adapter ring



Upper part



Art. No.	DN	d1	d2	d3	H	L1	L2	drain capacity*
Alpha drain upper part								
3282	70	75	62	-	245	-	-	8,0 l/s (35 mm)
3284	100	110	97	-	245	-	-	8,8 l/s (35 mm)
3286	125	125	114	-	250	-	-	10,4 l/s (45 mm)
Alpha drain lower part vertical								
3202	70	75	115	220	-	-	-	3,9 l/s (35 mm)
3204	100	110	150	255	-	-	-	5,2 l/s (35 mm)
3206	125	125	165	270	-	-	-	7,8 l/s (45 mm)
Alpha drain lower part horizontal								
3232	70	75	-	220	93	255	197	
3234	100	110	-	255	130	290	238	
3236	125	125	-	270	153	305	253	

Prices

Art. No.	Name	Price (€)
3282	Alpha drain upper part DN 70	95,-
3284	Alpha drain upper part DN 100	97,-
3286	Alpha drain upper part DN 125	102,-
3202	Alpha drain lower part vertical DN 70	80,-
3204	Alpha drain lower part vertical DN 100	85,-
3206	Alpha drain lower part vertical DN 125	91,-
3232	Alpha drain lower part horizontal DN 70	119,-
3234	Alpha drain lower part horizontal DN 100	124,-
3236	Alpha drain lower part horizontal DN 125	129,-
3287	Alpha adapter ring	39,-