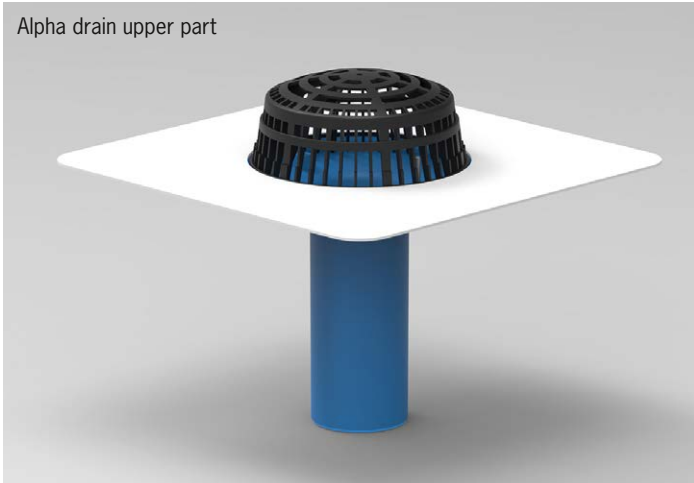


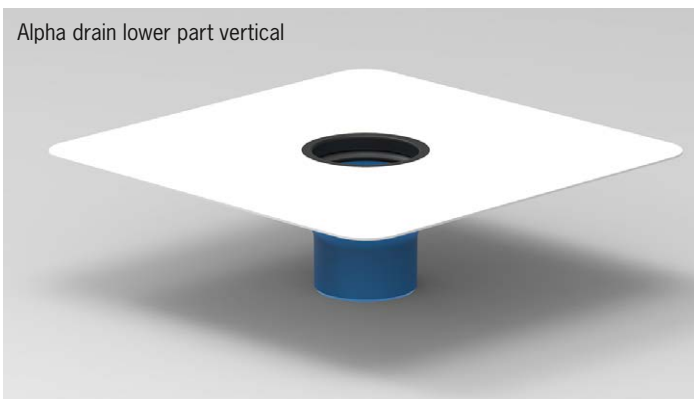
Alpha drain upper part



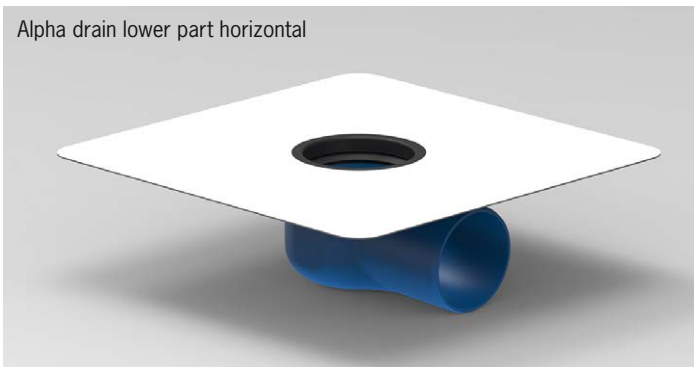
**The Alpha drain made of PUR – an awesome two-piece** made of high-quality, CFC-free polyurethane rigid integral foam (PUR). Maximum drainage with minimal ceiling openings.

- The lower part of the drain has only the maximum necessary diameter for every available nominal DN size and therefore only requires minimal ceiling openings.
- Each drain lower part has a push-in sleeve on the top with the same DN nominal width as its socket diameter.
- This gives the drain upper part a secure and firm hold as well as absolute backflow protection and allows many flexible uses.
- The upper part of the drain has both a long outlet connection in DN nominal width for high insulation thicknesses and a flat inlet plate for low insulation structures.
- The inlet area, which is uniformly large for all nominal widths, ensures a high drainage capacity.
- With an extra large and stable pebble trap to protect the rainwater downpipes from clogging.
- The use of upper and lower parts of the drain independently of each other also allows a wide range of possible uses due to the consistent design in DN nominal widths.
- Available with all standard roofing membrane connection sleeves.

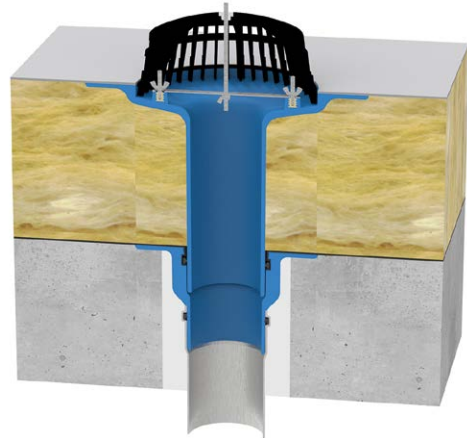
Alpha drain lower part vertical



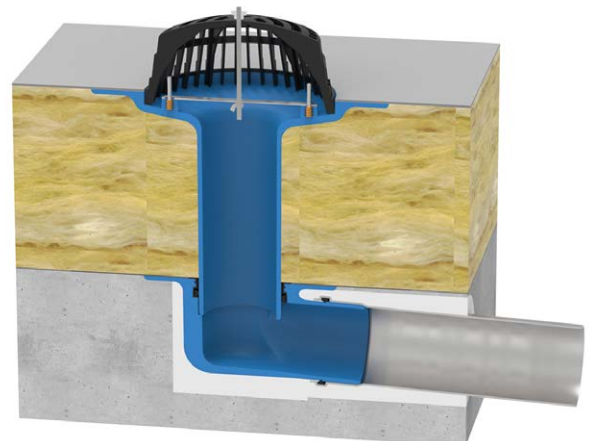
Alpha drain lower part horizontal



## Installation examples



Alpha drain lower part vertical with inserted upper part in the warm roof.



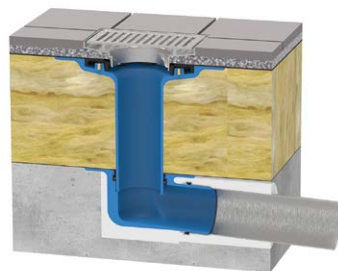
Alpha drain lower part horizontal with inserted upper part in the warm roof.

## Accessories



Alpha adapter ring made of PUR for the Alpha drain, upper part

- The Alpha adapter ring is inserted into the upper part of the Alpha drain and is used to accommodate either terrace construction kits or insert screens with a precise fit.



### Installation example

Alpha drain upper part in conjunction with drain adapter ring and walk-on terrace construction kit in the warm roof with terrace structure

# Alpha Drain (formerly known as Eco Drain) with new supplements and accessories

Dimension | Art. No.

### Alpha drain made of PUR (upper part)

DN 70 **3282**  
 DN 100 **3284**  
 DN 125 **3286**

### Alpha drain made of PUR (lower part), vertical

DN 70 **3202**  
 DN 100 **3204**  
 DN 125 **3206**

### Alpha drain made of PUR (lower part), horizontal

DN 70 **3232**  
 DN 100 **3234**  
 DN 125 **3236**

### Alpha adapter ring (PUR)

suitable for the Alpha drain top part to accommodate insert screens or terrace kits  
**3287**

### Terrace construction kit can be walked on (black)

height adjustable 60–150 mm  
 complete with end sieve, without odour trap  
**5902**

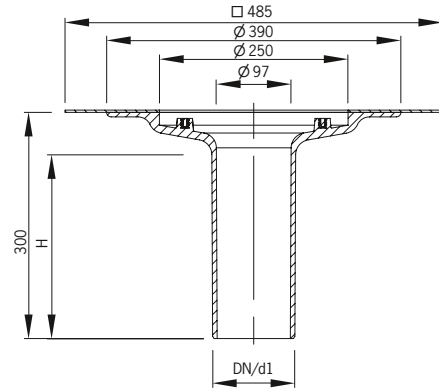
### Terrace construction kit can be walked on

**5900**

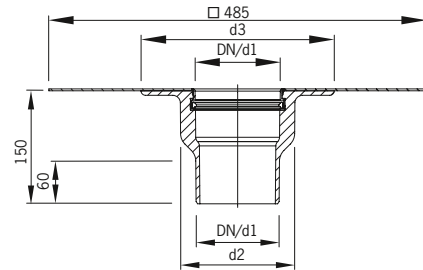
### Stainless steel insert sieve

Ø 160 mm **3449.S**

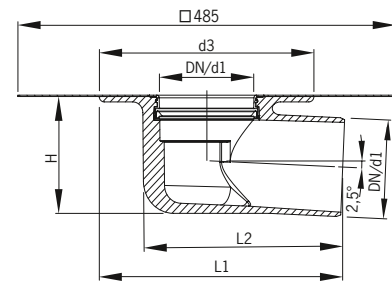
### Technical data Alpha drain



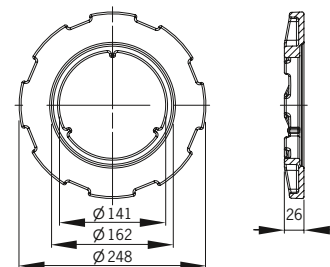
Alpha drain, upper part



Alpha drain, lower part vertical



Alpha drain, lower part horizontal



Alpha adapter ring

Art.-No.	DN	d1	d2	d3	H	L1	L2	Drainage capacity*
<b>Alpha drain upper part</b>								
3282	70	75	62	–	245	–	–	8,0 l/s (35 mm)
3284	100	110	97	–	245	–	–	8,8 l/s (35 mm)
3286	125	125	114	–	250	–	–	10,4 l/s (45 mm)
<b>Alpha drain lower part, vertical</b>								
3202	70	75	115	220	–	–	–	3,9 l/s (35 mm)
3204	100	110	150	255	–	–	–	5,2 l/s (35 mm)
3206	125	125	165	270	–	–	–	7,8 l/s (45 mm)
<b>Alpha drain lower part, horizontal</b>								
3232	70	75	–	220	93	255	197	3,7 l/s (35 mm)
3234	100	110	–	255	130	290	238	6,0 l/s (35 mm)
3236	125	125	–	270	153	305	253	8,7 l/s (45 mm)

\*Drainage capacity acc. to DIN EN 1253-2 in l/sec (accumulation height in millimeters)