

■ Attica Jumbo Drain The “big mouth”

Improved version!



Attica Jumbo drain made of PUR (the “big mouth”)

The attica Jumbo drain is suited for larger roofs with higher drainage capacities. Its oval pipe swallows 12l/sec at an accumulation height of 55mm. A really “big mouth”!

There is a suitable adapter to DN 150 and it has a compatible cistern made of zinc sheeting to be able to redirect the water.

Now in a new, improved version: 200 mm longer!



Leaf trap grate
The use of this stainless steel leaf trap grate does not reduce the drainage capacity!



Adaptor for attica Jumbo drain made of PUR with connection supports for a sleeve pipe DN 150. For on-site connection to an attica Jumbo drain. Sandpaper and adhesive are included in the scope of delivery.



Reducing piece made of PUR, internal rubber seal (like sleeve), suitable for the attica Jumbo drain with adaptor for the reduction of the nominal width from DN 150 to DN 125 or 100.

Installation example Attica Jumbo drain made of PUR



Attica Jumbo drain with adaptor and connecting piece for vapour traps fastening cuff in the insulated roof. To prevent frost damage, we recommend using our trace heating systems (see page 74).

Attica Jumbo Drain with accessories

Dimension | Art. No.

NEW!



Attica Jumbo drain made of PUR (the "big mouth") without adaptor
3436.N



Adaptor for attica Jumbo drain made of PUR
3439.N



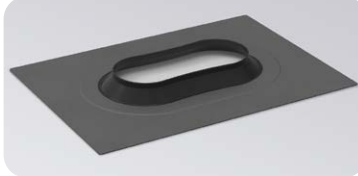
Reducing element made of PUR DN 150-125/100
3437



Cistern
Drain support ca. 120 mm
5-piece **3438**
Drain support ca. 150 mm
4-piece **2438**



Attica stainless steel leaf trap grate
3494.J
Drainage capacity is not reduced!

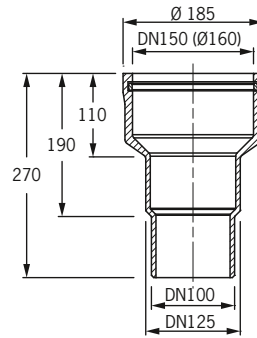


Vapour barrier connection cuff
2499

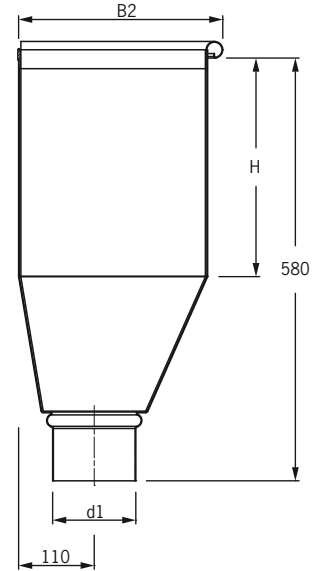
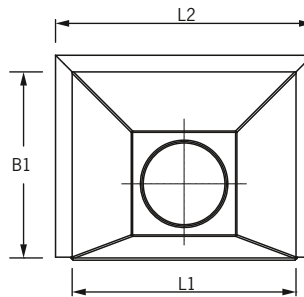


Pipe cover plate made of stainless steel
suitable for attica Jumbo drain
2462.N

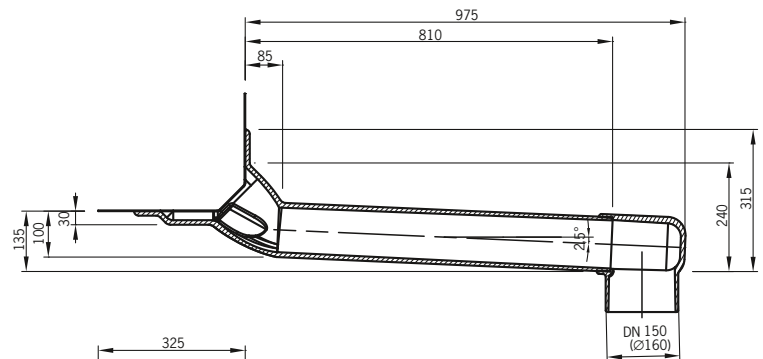
Technical data reducing element and cistern



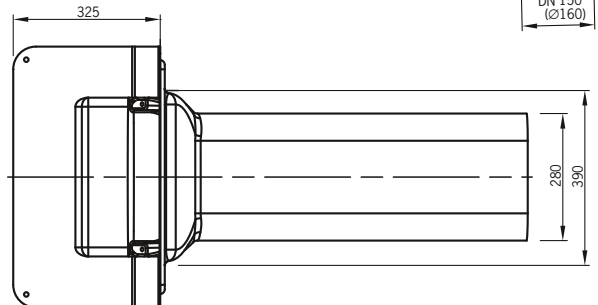
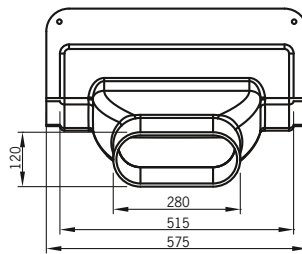
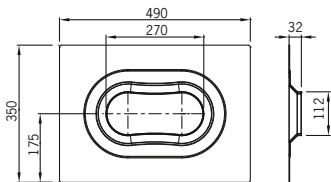
Art.	d1	L1	L2	B1	B2	H
3438	120	300	340	250	270	310
2438	150	345	385	300	320	335



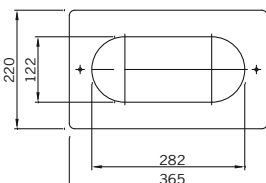
Technical data attica Jumbo drain



Technical data connecting piece for vapour traps fastening cuff



Technical data pipe cover plate



Art. No	Drainage capacity*
3436.N	9,2 l/s (45 mm)
	12,2 l/s (55 mm)
	15,7 l/s (65 mm)

*Drainage capacity acc. to DIN EN 1253-2 in l/sec (accumulation height in millimeters)