

# ■ Attica Balcony Drain DN 50, 70, 100



Attica balcony drain made of PUR with slip-in socket

## Attica balcony drain

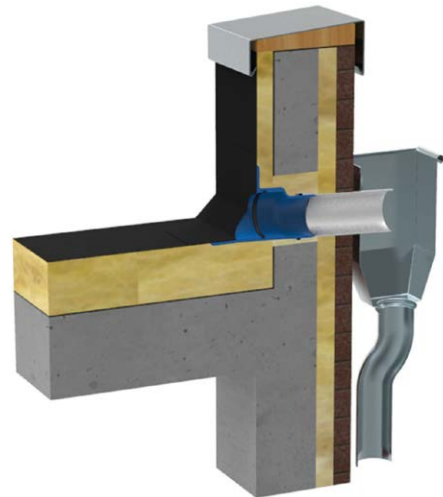
heat insulated, CFC-free, with PVC sleeve pipe (black) 50 cm long and cast on bitumen, PVC or special cuff.

## Attica balcony drains

With the attica balcony drains it is possible to solve many drainage problems on roofs, terraces, balconies leafy pathways etc. in a way that was not previously possible.

One has the possibility to drain water above heated rooms, without weakening the heat insulation and by doing so creating thermal bridges (see installation example).

## Installation example



Attica balcony drain (Art. No. 3444.BIT) with plug-in sleeve, built into the vapour barrier and water collector. **To avoid frost damage, we recommend using our trace heating systems (see page 74).**



Detail Plug-in sleeve



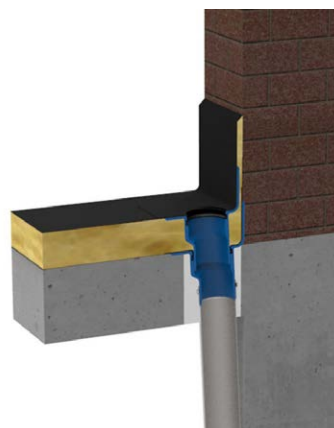
Attica balcony drain made of PUR with plug-in sleeve as emergency overflow



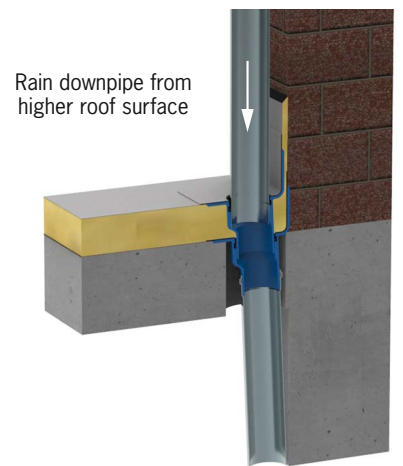
Attica balcony drain made of PUR



Attica balcony drain made of PUR with wedge 6x6 cm and emergency overflow element



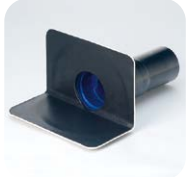
Two attica balcony drains (Art. No. 3405) vertical attached close to the wall



Two attica balcony drains (Art. No. 3405) vertical attached close to the wall as rain water pipe

# Attica Balcony drain DN 50, 70, 100

Dimension | Art. No.



**Attica balcony drain made of PUR**  
 DN 50 **3410**  
 DN 70 **3411**  
 DN 100 **3412**



**Attica balcony drain made of PUR with plug-in sleeve**  
 DN 50 **3413**  
 DN 70 **3414**  
 DN 100 **3415**



**Attica balcony drain made of PUR with plug-in sleeve and wedge 6 x 6 cm**  
 DN 50 **3440.BIT**  
 DN 70 **3442.BIT**  
 DN 100 **3444.BIT**



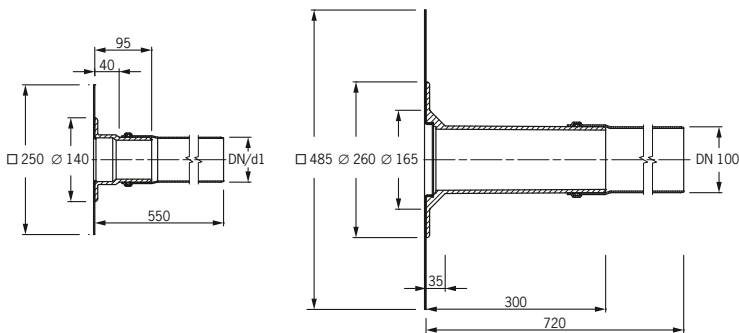
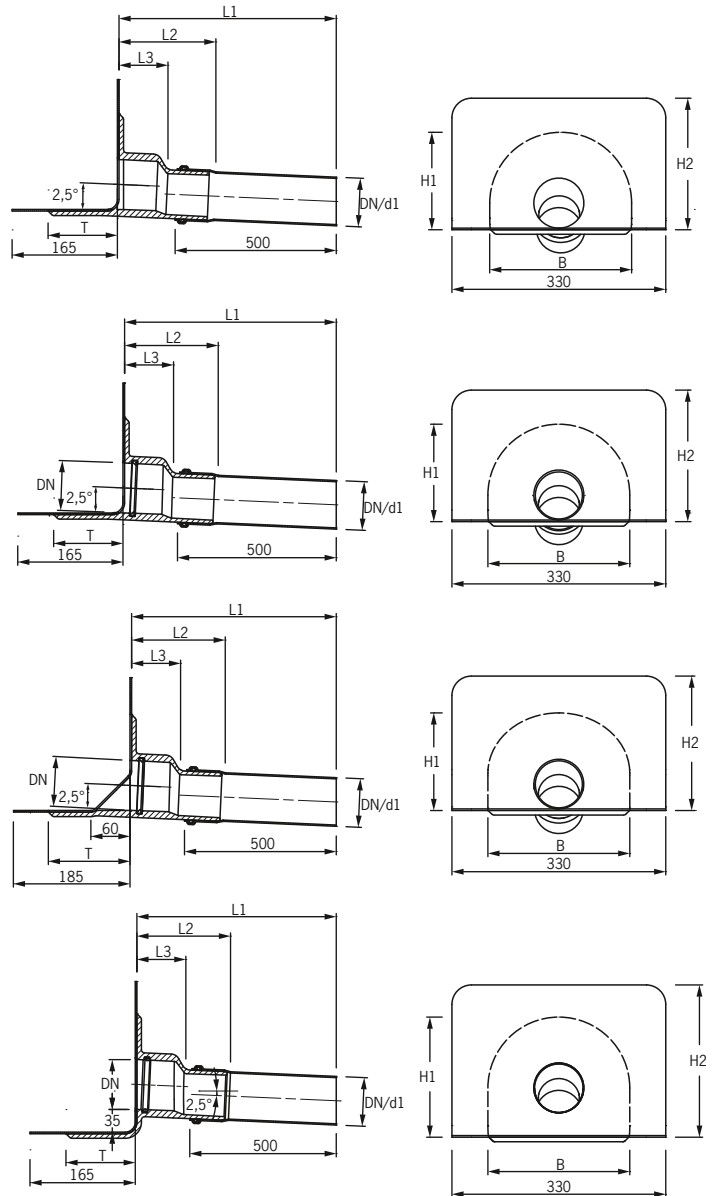
**Attica balcony drain made of PUR with plug-in sleeve as emergency overflow**  
 DN 50 **3403**  
 DN 70 **3404**  
 DN 100 **3405**



**Attica emergency overflow**  
 DN 50 **3400**  
 DN 70 **3401**  
 DN 100 **3402**



## Technical data attica balcony drains



Art.	DN	d1	Drainage capacity*
3400	50	50	0,4 l/s (35 mm)
3401	70	75	0,7 l/s (35 mm)
3402	100	110	0,9 l/s (35 mm)

Art.	DN	d1	L1	L2	L3	T	B	H1	H2	Drainage capacity*
3410, 3413, 3440.BIT	50	50	630	130	65	95	190	95	200	0,6 l/s (35 mm)
3411, 3414, 3442.BIT	70	75	635	130	70	110	220	150	200	0,7 l/s (35 mm)
3412, 3415, 3444.BIT	100	110	640	160	80	125	255	185	200	1,0 l/s (35 mm)
3403	50	50	630	130	65	95	190	160	235	0,4 l/s (35 mm)
3404	70	75	635	130	70	110	220	185	235	0,7 l/s (35 mm)
3405	100	110	640	160	80	125	255	220	235	0,9 l/s (35 mm)

\*Drainage capacity acc. to DIN EN 1253-2 in l/sec (accumulation height in millimeters)

# Attica Balcony drain with accessories

Dimension | Art. No.



**Attica emergency overflow element made of PUR 170**

DN 50 **2450**  
 DN 70 **2452**  
 DN 100 **2454**



**Attica emergency overflow element made of PUR 450**

DN 50 **2450.45**  
 DN 70 **2452.45**  
 DN 100 **2454.45**



**Attica drain element made of PUR 170**  
 with slit for wedge

DN 50 **2450.1**  
 DN 70 **2452.1**  
 DN 100 **2454.1**



**Attica drain element made of PUR 450**  
 with slit for wedge and optional lateral inlet opening

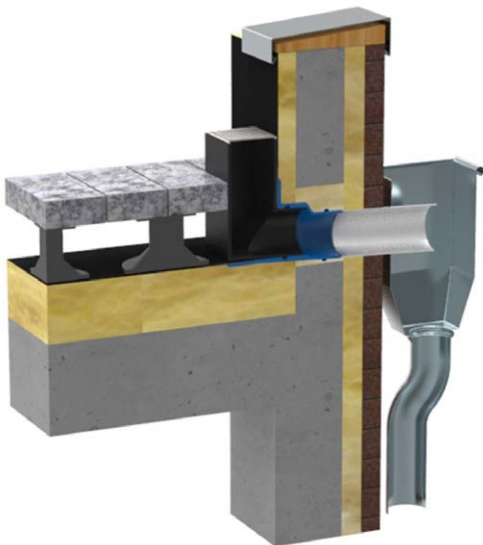
DN 50 **2450.1.45**  
 DN 70 **2452.1.45**  
 DN 100 **2454.1.45**

The attica emergency overflow elements and attica drain elements are suitable to all attica balcony drains with slip-in socket.

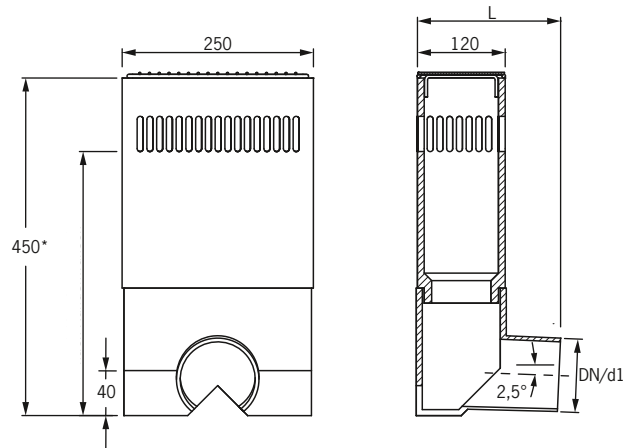
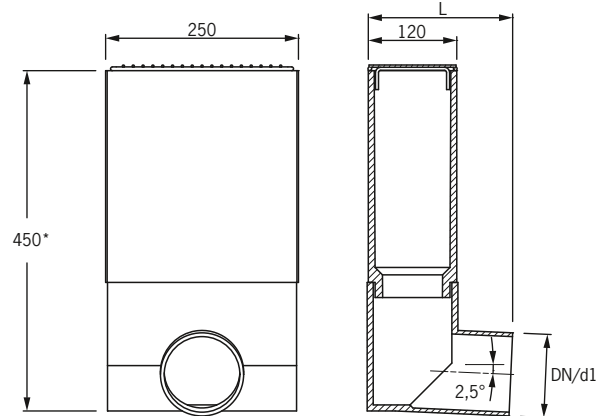
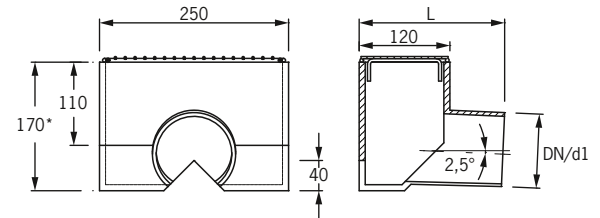
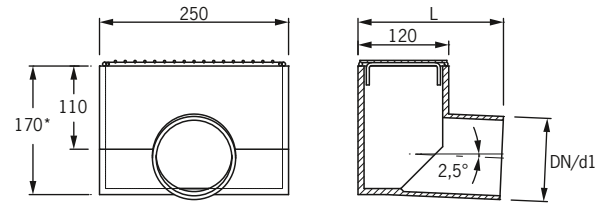
The **drainage capacities** of the attica balcony drains are **increased** by the attica emergency overflow elements resp. drain elements (data on request)!

## Installation example attica balcony drain with attica emergency overflow element

Attica balcony drain with inserted attica emergency overflow element in an insulated roof with tiled covering on stilts. **To prevent frost damage, we recommend using our trace heating systems (s. p. 74).**



## Technical data



\* can be shortened as required

Art. No.	DN	d1	L
2450, 2450.1, 2450.45, 2450.1.45	50	50	140
2452, 2452.1, 2452.45, 2452.1.45	70	75	196
2454, 2454.1, 2454.45, 2454.1.45	100	110	220

# Attica Balcony drain with accessories

Dimension | Art. No.



### Attica emergency overflow made of stainless steel

Support length 30 cm:  
 DN 50 **2680**  
 DN 70 **2682**  
 DN 100 **2684**

Support length 55 cm:  
 DN 50 **2680.55**  
 DN 70 **2682.55**  
 DN 100 **2684.55**



### Pebble trap made of PE

with secure pebble trap holder made of stainless steel  
 Passend zu Art. No. 3410–3415.  
 DN 50 **3491.1**  
 DN 70/100 **3492.1**



### Pebble trap made of PP

suitable for Art. No. 3403–3415 and 3440–3444.  
 DN 50 **3491**  
 DN 70 **3492**  
 DN 100 **3493**



### Stainless steel pipe with sleeve

suitable for all attica balcony drains, attica Meso drains and attica super drains.

	25 cm	50 cm
DN 50	<b>2631</b>	<b>2631.55</b>
DN 70	<b>2632</b>	<b>2632.55</b>
DN 100	<b>2634</b>	<b>2634.55</b>



### Stainless steel bend

87,5° and with sleeve  
 DN 50 **2650**  
 DN 70 **2652**  
 DN 100 **2654**



### PP pipe with sleeve (black)

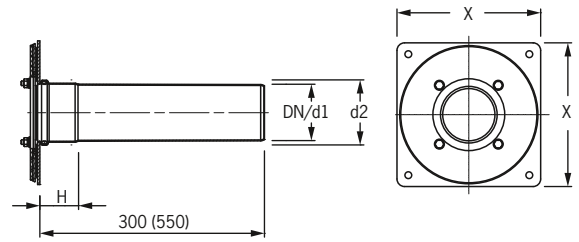
	50 cm	100 cm
DN 50	<b>3460</b>	<b>3460.1</b>
DN 70	<b>3462</b>	<b>3462.1</b>
DN 100	<b>3464</b>	<b>3464.1</b>



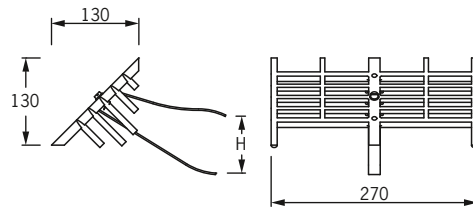
### Surface pipe cover made of stainless steel

DN 50	<b>2460.50</b>
DN 70	<b>2460.70</b>
DN 100	<b>2460.100</b>

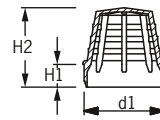
### Technical data



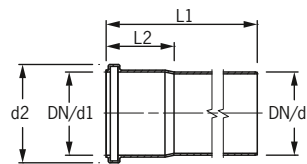
Art.	DN	d1	d2	H	X
<b>2680, 2680.55</b>	50	50	61	45	150
<b>2682, 2682.55</b>	70	75	87	55	190
<b>2684, 2684.55</b>	100	110	125	60	240



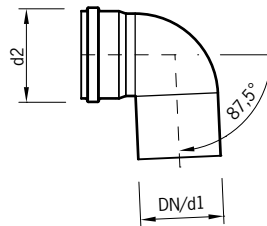
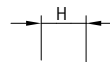
Art.	für	H
<b>3491.1</b>	DN 50	40·80
<b>3492.1</b>	DN 70/100	60·150



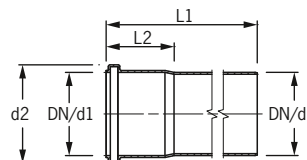
Art.	d1	H1	H2
<b>3491</b>	50	25	90
<b>3492</b>	75	25	100
<b>3493</b>	110	25	105



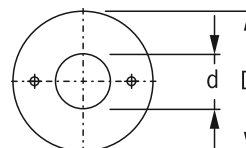
Art.	DN	d1	d2	L1	L2
<b>2631</b>	50	50	62	250	48
<b>2632</b>	70	75	88	250	55
<b>2634</b>	100	110	125	250	60
<b>2631.55</b>	50	50	62	500	48
<b>2632.55</b>	70	75	88	500	55
<b>2634.55</b>	100	110	125	500	60



Art.	DN	d1	d2	H
<b>2650</b>	50	50	62	48
<b>2652</b>	70	75	88	55
<b>2654</b>	100	110	125	60



Art.	DN	d1	d2	L1	L2
<b>3460</b>	50	50	62	500	48
<b>3462</b>	70	75	88	500	55
<b>3464</b>	100	110	125	500	60



Art.	DN	d	D
<b>2460.50</b>	50	51	130
<b>2460.70</b>	70	76	155
<b>2460.100</b>	100	111	190

## ■ Attica Balcony Drain with accessories

Dimension | Art. No.



**Socket pipe DN 90 made of PE (black), length 50 cm\***  
suitable for all attica balcony drains DN 100 made of PUR

DN 90 3461



**T-piece made of titanium zinc\***  
with seal, suitable for sleeve pipe DN 90 made of PE, for a connection with a vertical zinc downpipe i.d. 100 (6-piece)

DN 90/100 (6-teilig)  
**2661**



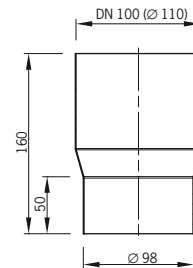
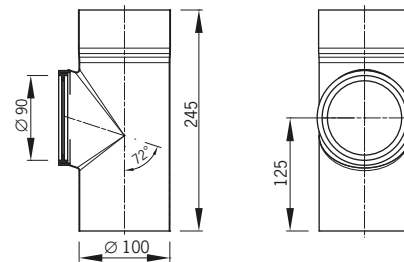
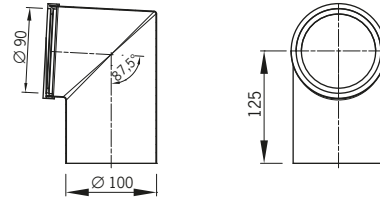
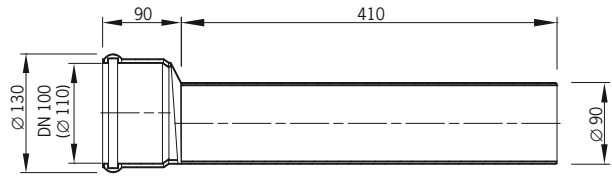
**Bend made of titanium zinc\***  
with seal, suitable for sleeve pipe DN 90 made of PE, for a connection with a vertical zinc downpipe i.d. 100 (6-piece)

DN 90/100 (6-piece)  
**2651**



**Adaptor DN 100**  
made of titanium zinc, without seal, suitable for partial flow diversion, for a connection with a vertical zinc downpipe.

DN 100 **2633**  
i.d. 100, 6-piece



\* Can only be used in conjunction with the attica balcony drain made of PUR.

### Application examples



**Example, left figure:** Partial flow diversion with adaptor DN 100 onto a zinc down pipe i.d. 100, suitable for the attica super-2 drain and attica meso-2 drain.

**Example, right figure:** Attica balcony drain made of PUR DN 100 with wedge in conjunction with a socket pipe DN 90 made of PE and a T-piece made of titanium zinc.

