

■ Attica Downpipe Connection for Attica Drains



Attica downpipe connection made of titanium zinc

- elegant adaptor onto the vertical downpipe in DN sizes through the attica lead roof drainage pipes
- for round drainpipes made of titanium zinc
- plug-in connection to roof drainpipe outside of the wall
- incl. plug-in sealing ring and cover grate
- also available for use with the attika plug-in drain
- removes the need for a water collecting container



Attica downpipe connection made of titanium zinc DN 70 in combination with a reducer from \varnothing 87 mm to \varnothing 80 mm.



Assembly example:
Attica downpipe connection DN 100 in combination with the attica balcony drain and the attica plug-in overflow.



The emergency overflow is inserted.
A water collection container is no longer required.

Attica Downpipe Connection round

Dimension | Art. No.



Downpipe connection for attica drains, round, made of titanium zinc

DN 70 **2471**
DN 100 **2472**

incl. plug-in seal and cover grate, for round rain downpipes made of titanium zinc sheeting, suitable for all attica drains.

The scope of delivery of **Art. No. 2471** includes an **adaptor** of \varnothing 87 mm to 80 mm.



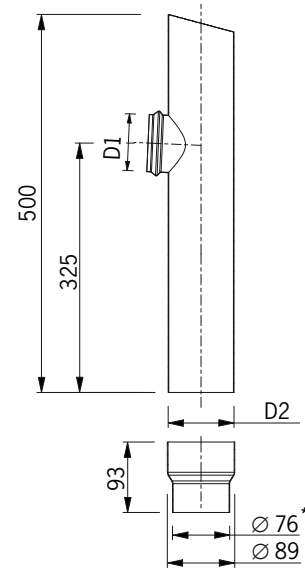
2 in 1

Downpipe connection, round, made of titanium zinc

DN 100 **2472.L**

as Art. No. 2472, but suitable to attica plug-in drain.

Technical data attica downpipe connection made of titanium zinc



Art.	DN	D1	D2	a	b
2471	70	75	87	-	-
2472	100	110	100	-	-

Assembly example attica downpipe connection made of titanium zinc

