

■ Attica Meso-2 Drain for use with a water collector

2 in 1



Assembly example: Attica Meso-2 drain with wedge (lange Version) mit Wasserfangkasten

Attica Meso-2 drain DN 100 made of PUR/ stainless steel

the comprehensive solution for **main and emergency drainage through only one attica passage**. The drain is available in a long or short version, with/without wedge and with various connection collars.

The **scope of delivery** of the **attica Meso-2 drain** includes:

- 1 **Attica Meso drain DN 100** with/without wedge (without PP pipe)
 - 2 **Stainless steel pipe** with sleeve DN 100, 54 cm long
 - 3 **Stainless steel pipe** with sleeve DN 100, 30 cm long, with cutaway for main and emergency drainage and baffle plate
 - 4 **Water guiding plate front** and
 - 5 **Water guiding plate back** for emergency drainage
 - 6 **Leaf trap grate** made of stainless steel (Art. No. 3494.S(1))
- optional extra:**
- 7 **Water collector** made of zinc sheet (drain support 100 mm/6-piece, Art. No. 3450)
 - 8 **Locking ring DN 100** (Art. No. 2695)



Attica Meso-2 drain without wedge (short version)



Attica Meso-2 drain (short version) with wedge and water collector



Attica Meso-2 drain (long version) without wedge and with water collector

Attica Meso-2 Drain for use with a water collector

Dimension | Art. No.



2 in 1

Attica Meso-2 drain made of PUR with wedge (short version)
for attica thickness **up to 60 cm**
DN 100 **3213.BIT.S2**
with wedge



2 in 1

Attica Meso-2 drain made of PUR without wedge (short version)
for attica thickness **up to 60 cm**
DN 100 **3214.S2**
without wedge



2 in 1

Attica Meso-2 drain made of PUR DN 100 with wedge (long version)
for attica thickness **up to 110 cm**
DN 100 **3213.BIT.S2.L**
with wedge



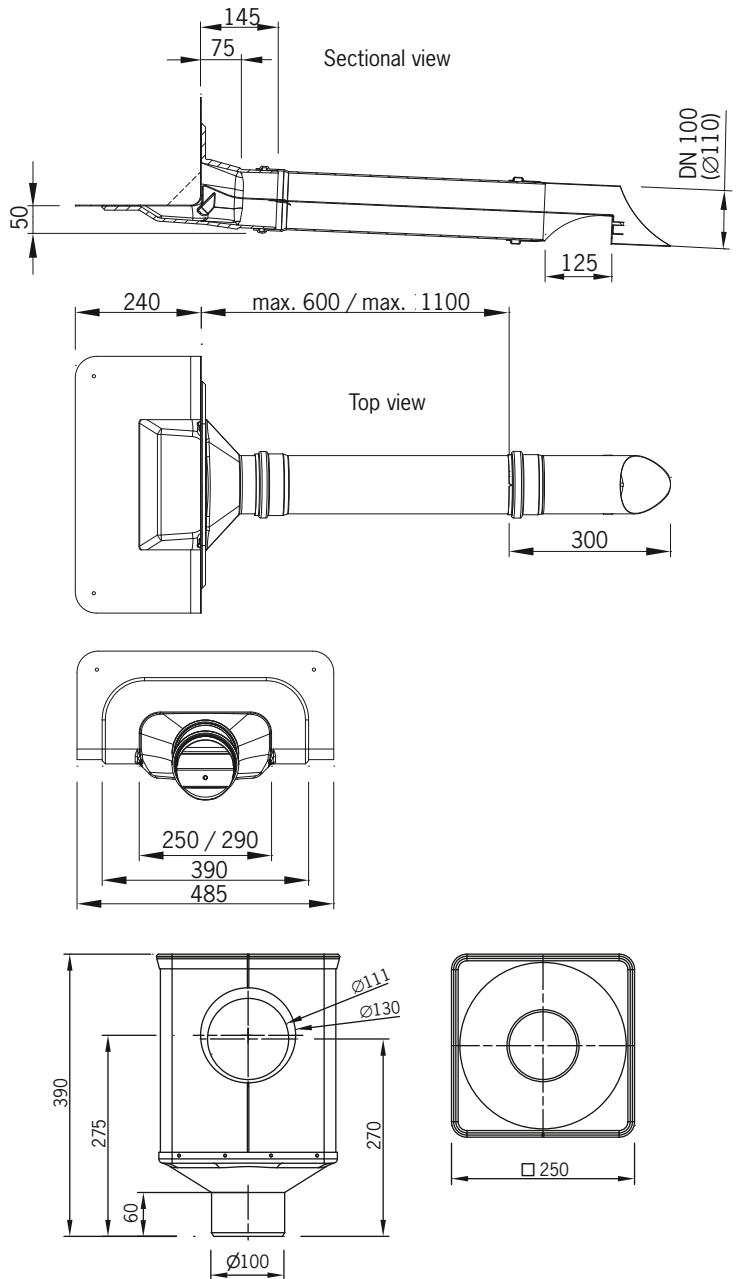
2 in 1

Attica Meso-2 drain made of PUR without wedge (long version)
for attica thickness **up to 110 cm**
DN 100 **3214.S2.L**

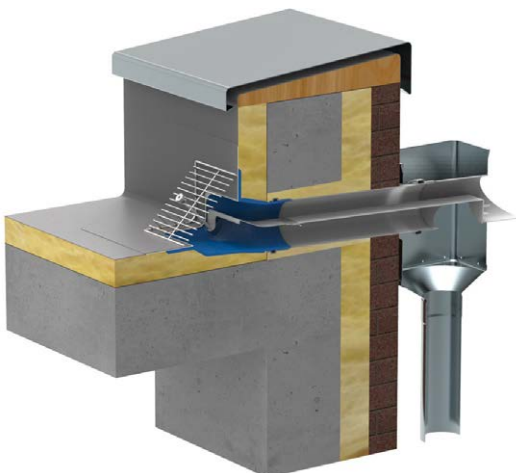


Water collector
3450

Technical data Attica Meso-2 drain



Installation example Attica Meso-2 drain



Attica Meso-2 drain with water collector, mounted in an insulated roof.
To avoid frost damage, we recommend using our trace heating systems (see page 74).

Art.	Drainage capacity*
Attica Meso-2 drain with/without wedge	Main drainage: 2,8 l/s (at 35 mm) Emergency overflow: 2,3 l/s (at 35 mm)
The use of the stainless steel leaf trap grate does not lower the drainage capacity!	

*Drainage capacity acc. to DIN EN 1253-2 in l/sec (accumulation height in millimeters)

■ Attica Meso-2 Drain with partial flow diversion

2 in 1



Attica Meso-2 drain (long version) without wedge and with partial flow diversion

Attica Meso-2 drain DN 100 made of PUR/ stainless steel with partial flow diversion

the comprehensive solution for **main and emergency drainage through only one attica passage**. The drain is available in a long or short version, with/without wedge and with various connection collars.

The **scope of delivery** of the **attica Meso-2 drain with partial flow diversion** includes:

- 1 **Attica Meso drain DN 100** with/without wedge (without PP pipe)
- 2 **Stainless steel pipe** with sleeve DN 100, 54 cm long
- 3 **Partial flow diversion** made of stainless steel
- 4 **Water guiding plate front** and
- 5 **Water guiding plate back** for emergency drainage
- 6 **Leaf trap grate** made of stainless steel (Art. No. 3494.S(1))

optional extra:

- 7 **Locking ring DN 100** (Art. No. 2695)
- 8 **Adaptor DN 100** (Art. No. 2633)



Attica Meso-2 drain (short version) with wedge and with partial flow diversion



Attica Meso-2 drain (short version) without wedge and with partial flow diversion



Attica Meso-2 drain (long version) with wedge and with partial flow diversion

■ Attica Meso-2 Drain with partial flow diversion

Dimension | Art. No.

2 in 1



Attica Meso-2 drain made of PUR with partial flow diversion with wedge (short version)
for attica thickness **up to 60 cm**
DN 100 **3215.BIT**

2 in 1



Attica Meso-2 drain made of PUR with partial flow diversion without wedge (short version)
for attica thickness **up to 60 cm**
DN 100 **3216**

2 in 1



Attica Meso-2 drain made of PUR with partial flow diversion with wedge (long version)
for attica thickness **up to 110 cm**
DN 100 **3215.BIT.L**

2 in 1



Attica Meso-2 drain made of PUR with partial flow diversion without wedge (long version)
for attica thickness **up to 110 cm**
DN 100 **3216.L**

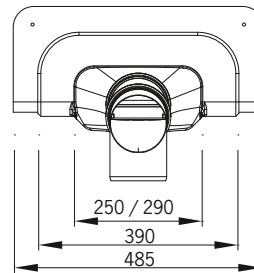
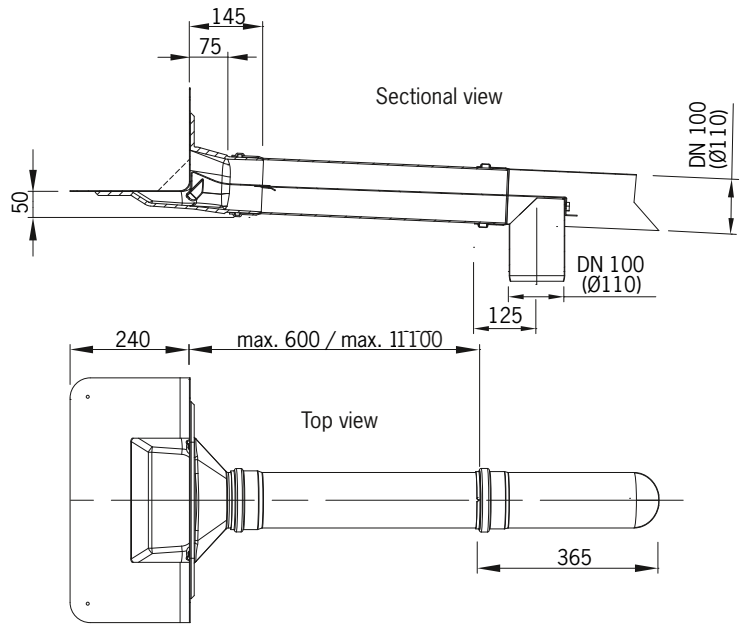


Adaptor DN 100
DN 100 **2633**



Safety clamp
DN 100 **2695**

Technical data Attica Meso-2 drain with partial flow diversion



Art.	Drainage capacity*
Attica Meso-2 drain with partial flow diversion, long/short version	Main drainage: 3,0 l/s (at 35 mm) Emergency overflow: 2,4 l/s (at 35 mm)
The use of the stainless steel leaf trap grate does not lower the drainage capacity!	

*Drainage capacity acc. to DIN EN 1253-2 in l/sec (accumulation height in millimeters)