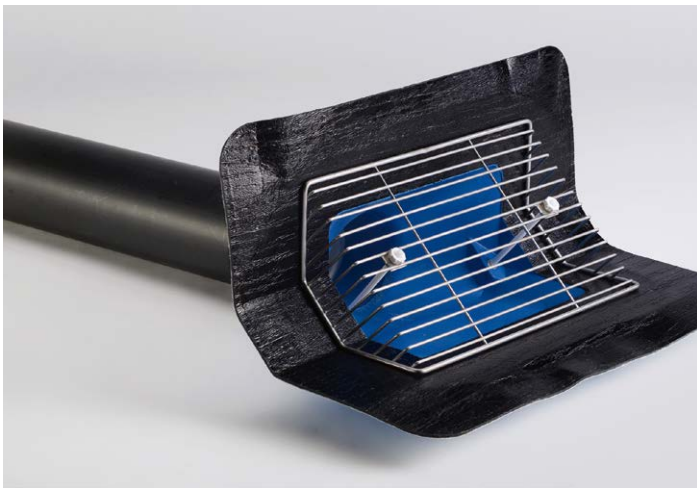


## ■ Attica Meso Drain for medium Drainage capacities



Attica Meso drain DN 70 made of PUR without wedge (with leaf trap grate 3494.S1 as accessory)



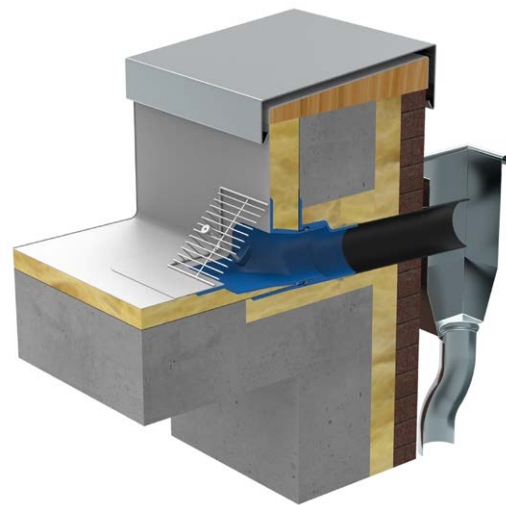
Attica Meso drain DN 100 made of PUR with wedge 6x6 cm (with leaf trap grate 3494.S as accessory)

### Attica Meso drain DN 70/100 made of PUR

The new Grumbach attica Meso drain has a relatively **high drainage capacity with only very little insert in the thermal insulation.**

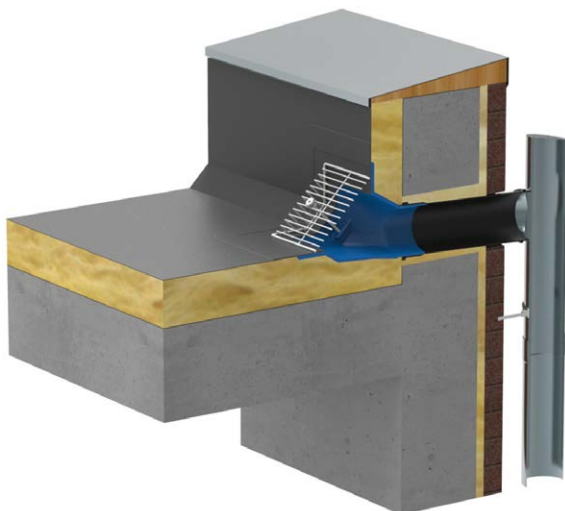
- With permanently cast connecting sheet.
- Available with all common roof seals (Please mention typ of required connection collar when ordering).
- Made of high-quality polyurethane-hard-foam (PUR).
- with 50 cm long PP sleeve pipe (black).
- **Now available with wedge 6x6 cm!**

#### Installation example attica Meso drain made of PUR without wedge

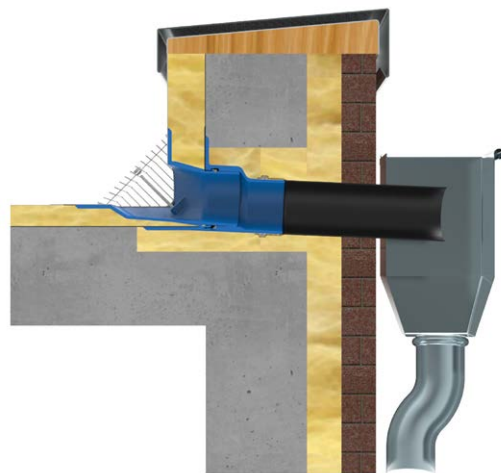


Attica balcony drain with slip-in socket, built into the vapor barrier, with inserted attica Meso drain without wedge; with water collector. **To avoid frost damage, we recommend using our trace heating systems (see page 74).**

#### Installation example attica Meso drain made of PUR with wedge

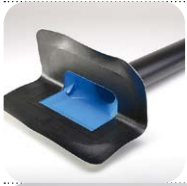


Attica Meso drain with wedge mounted in an insulated roof. On the outer side with round downpipe connection. **To avoid frost damage, we recommend using our trace heating systems (see page 74).**

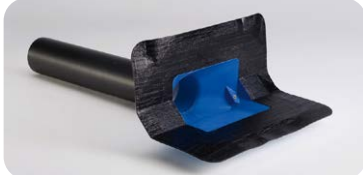


# Attica Meso Drain for medium Drainage capacities

Dimension | Art. No.



**Attica Meso drain made of PUR without wedge with PP sleeve pipe (55 cm)**  
 DN 70 **3212**  
 DN 100 **3214**



**Attica Meso drain made of PUR with wedge with PP sleeve pipe (55 cm)**  
 DN 70 **3211.BIT**  
 DN 100 **3213.BIT**



**Attica leaf trap grate made of stainless steel**  
 for Attica Meso drain made of PUR without wedge **3494.S1**  
 with wedge **3494.S**



**Pull-out protection made of EPDM**  
 suitable for all common pipes  
 DN 70/DN 100  
 DN 70 **5341**  
 DN 100 **5343**

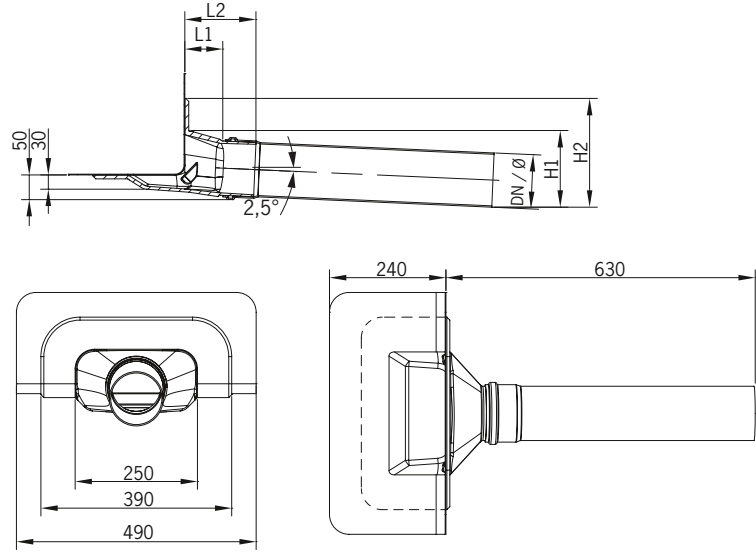


**Pebble trap made of PE**  
 suitable for the attica Meso drain made of PUR  
 without wedge **3495.S1**  
 with wedge **3495.S**

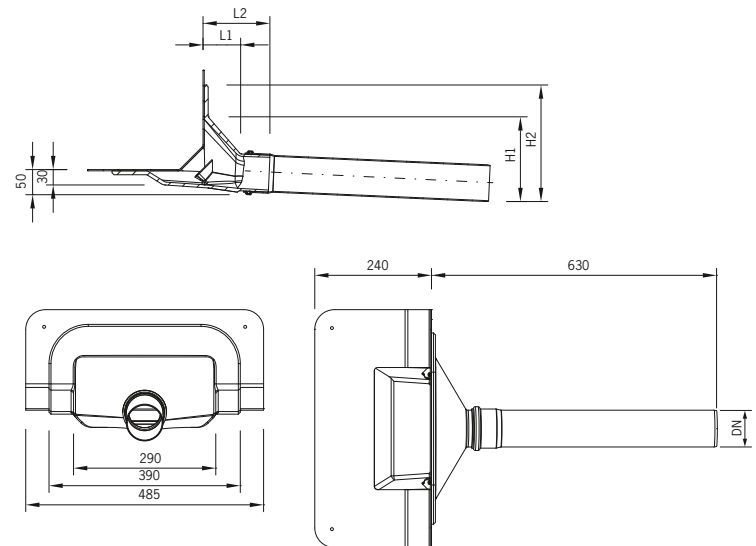


**Water collector**  
 made of titanium zinc, 0,80 mm thick, drain support 100 mm resp. 6-piece.  
**3450.I**

## Technical data attica Meso drain made of PUR without wedge



## Technical data attica Meso drain made of PUR with wedge



## Pull-out protection made of EPDM (assembly example)

- including EPDM pull-out protection, hose clamp and locking ring made of stainless steel
- restrained connection between drain and socket pipe
- suitable for all common pipes DN 70 and DN 100

Art.	DN	Ø	H1	H2	L1	L2	Drainage capacities*
3212	70	75	150	215	70	135	2,8 l/s (35 mm)
3214	100	110	155	220	75	145	3,0 l/s (35 mm)
3211.BIT	70	75	170	240	75	135	2,5 l/s (35 mm)
3213.BIT	100	110	175	240	75	145	3,3 l/s (35 mm)

\*Drainage capacity acc. to DIN EN 1253-2 in l/sec (accumulation height in millimeters)



Attica Meso drain with applied PP sleeve pipe and pull-out protection

## Technical data pull-out protection made of EPDM

Art.	5341	5343
DN	70	100
D1	90	130
D2	80	120
D3	100	140
H	65	75

