

■ Attica Plug-in Overflow

The clever two-in-one solution!



Attica plug-in overflow



Example: Attica plug-in overflow in the attica balcony drain with partial flow diversion made of stainless steel (for direct downpipe connection)



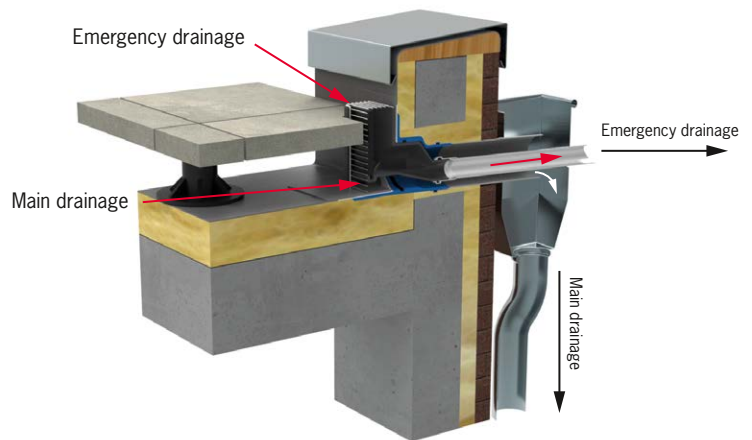
Attica plug-in overflow

Ideally suitable for the Grumbach attica balcony drain made of PUR DN 100 with plug-in sleeve (Art.-No. 3415 or 3444.BIT). The plug-in overflow allows main and emergency drainage with only one attica borehole.

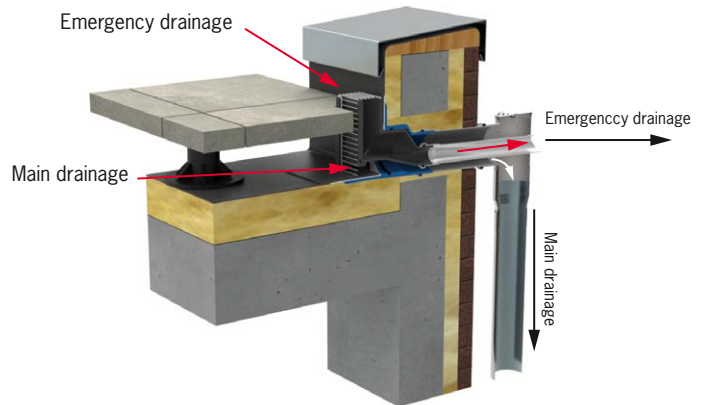
The emergency overflow can simply be adapted. The slip-in overflow is suitable for Attikas up to 350 mm and can be shortened and extended without any problems.

Best for small balconies and terraces!

Installation example



Attica plug-in overflow in a attica balcony drain in conjunction with a water collecting box



Attica plug-in overflow in a attica balcony drain with partial flow diversion made of stainless steel (for direct downpipe connection).



Example: Attica plug-in overflow applied to a attica balcony drain

Attica Plug-in Overflow

The clever two-in-one solution!

Dimension | Art. No.

Attica plug-in overflow with PP sleeve pipe 50 cm (black)

DN 50 **3420**

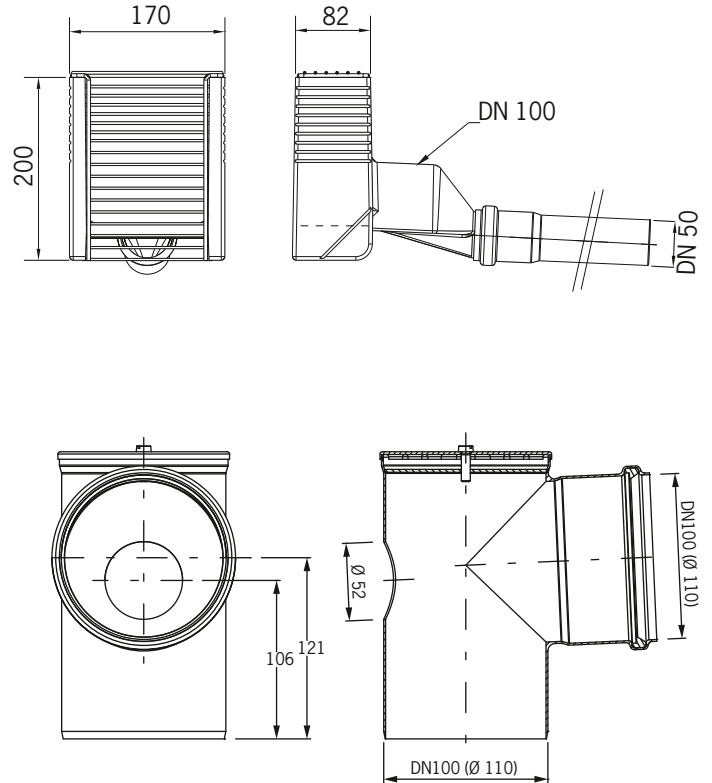
Application examples:
Attica plug-in overflow made of PUR with attica balcony drain DN 100 (Art. No. 3415)

Attica plug-in overflow made of PUR with attica balcony drain DN 100 with wedge (Art. No. 3444.BIT)

Partial flow diversion
suitable for attica balcony drain made of PUR, no water collecting box required

3420.AB

Technical data attica plug-in overflow

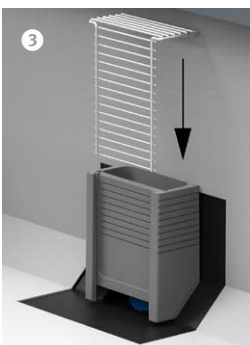
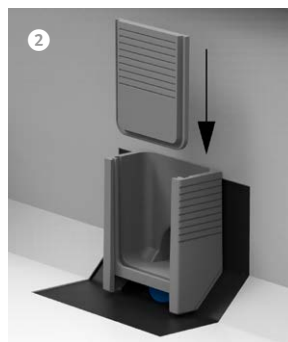
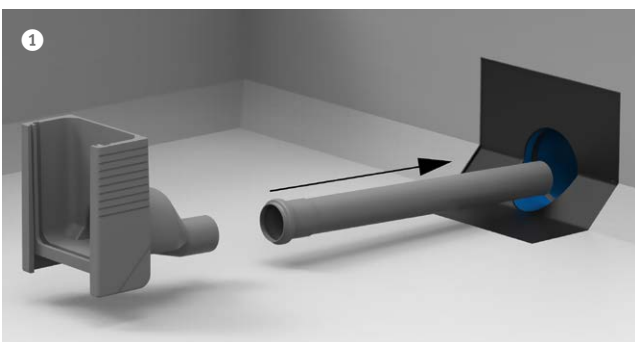


2 in 1

2 in 1

Assembly example

Assembly of a plug-in overflow



Quick and simple mounting of the plug-in overflow

1. Push the plug-in overflow into the attica balcony drain
2. Shorten overflow shutter to the required overflow height and push it into the guiding rail
3. Add pebble trap grate
4. Completely assembled plug-in overflow
5. The PP sleeve pipe or stainless steel pipe protrudes from the water collection box.