

Attica Plus Drain with stainless steel sewer system



Attica Plus drain made of PUR

heat insulated, CFC-free, with foam filled connection collar (made of bitumen, PVC or special foil)*, **please indicate when ordering!** This drain achieves a high drainage capacity (5 l/s at 35 mm accumulation level) with a **construction height of only 84 mm!**

Installation example attica Plus drain



Dimension | Art. No.



Attica Plus drain made of PUR (black)

3435



Typ I



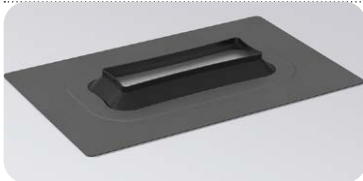
Typ II

Attica leaf trap grate made of stainless steel

Type I 3494.P

Type II 3494.P2

(when using the flat sewer system)



Vapor barrier connection cuff 2496.M



Cover plate made of stainless steel

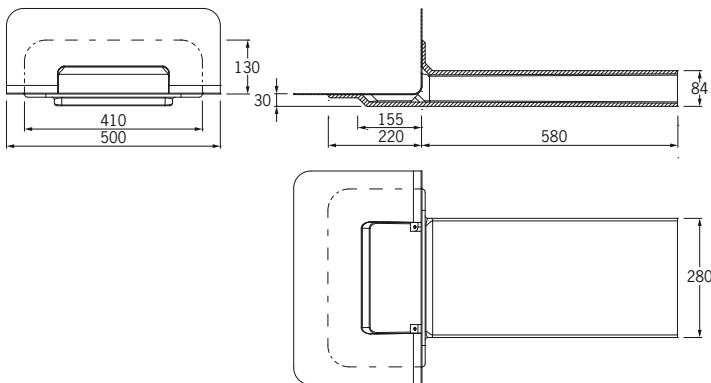
suitable for attica Plus drain

2461

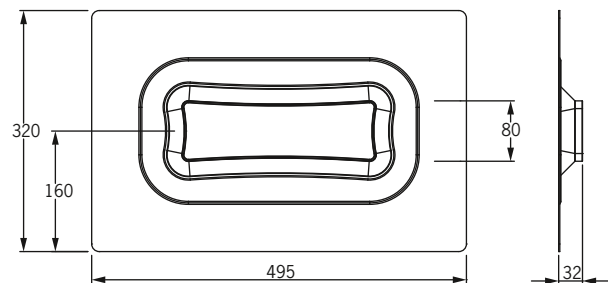
Attica Plus drain with leaf trap grate made of stainless steel and cistern in a insulated roof.

To prevent frost damage, we recommend using our trace heating systems (see page 74).

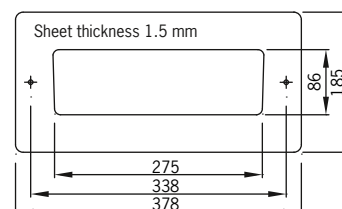
Technical data Attica Plus drain



Technical data vapor barrier connection cuff



Technical data cover plate made of stainless steel



Art. No	Drain capacities attica Plus drain and stainless steel flat sewer system
3435	5,0 l/s (35 mm accumulation level, free outlet) The drainage capacity is not reduced by using the leaf trap grate!
	2,0 l/s (35 mm accumulation level, with inserted flat sewer system, free outlet)

The drainage capacity of the the flat sewer system corresponds with the drainage capacity of the drain pipe used at the particular level of the pipe.

*Drainage capacity acc. to DIN EN 1253-2 in l/sec (accumulation height in millimeters)