

■ Attica Rectangular Emergency Overflow for large hall roofs



Attica rectangular emergency overflow 400/600 made of PUR

- Large overflow opening for high drainage capacity
- made of high-quality, CFC-free polyurethane hard foam (PUR) with permanent cast connection collar
- heat-insulated version
- for attica thickness up to 700 mm (can be shortened to suit the attica)
- Available with all common roof sealings (please mention type of connection collar when ordering).

Installation example attica rectangular emergency overflow



Dimension | Art. No.



Attica rectangular emergency overflow 400 made of PUR

open width 400 mm, length
400 mm **3424**
585 mm **3424.6**
775 mm **3424.8**



Attica rectangular emergency overflow 600 made of PUR

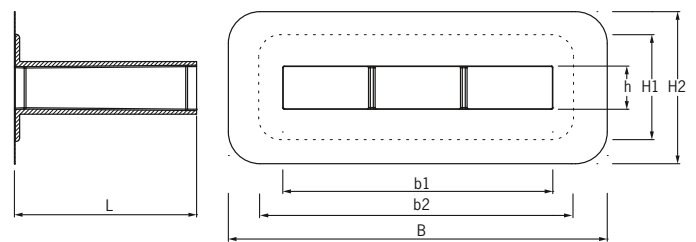
open width 600 mm, length
400 mm **3426**
585 mm **3426.6**
775 mm **3426.8**



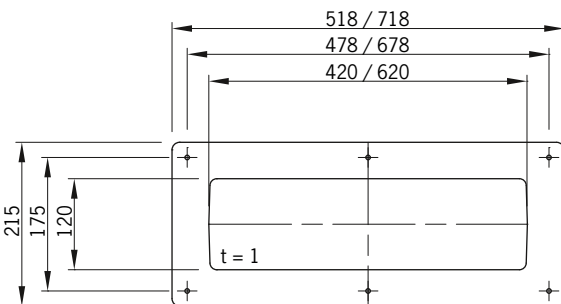
Cover plate made of stainless steel

suitable for attica rectangular emergency overflow 400
2463.400
suitable for attica rectangular emergency overflow 600
2463.600

Technical data Attica rectangular emergency overflow 400/600



Technical data pipe cover plate made of stainless steel



Art. No.	B	b1	b2	h	H1	H2	L	Drainage capacities*
3424	635	400	540	100	235	335	400	3,4 l/s (35 mm)
3426	835	600	740	100	235	335	400	5,2 l/s (35 mm)
3424.6	635	400	540	100	235	335	585	3,4 l/s (35 mm)
3426.6	835	600	740	100	235	335	585	5,2 l/s (35 mm)
3424.8	635	400	540	100	235	335	775	3,4 l/s (35 mm)
3426.8	835	600	740	100	235	335	775	5,2 l/s (35 mm)

all sizes in mm

*Drainage capacity acc. to DIN EN 12532 in l/sec (accumulation height in millimeters)

Attica Rectangular Emergency overflow with fixed accumulation height



Attica rectangular emergency overflow 400.35/600.35 made of PUR

- Large overflow opening for high drainage capacity
- made of high-quality, CFC-free polyurethane hard foam (PUR) with permanent cast connection collar
- heat-insulated version
- for attica thickness up to 700 mm (can be shortened to suit the attica)
- simple assembly on **fixed accumulation height of 35 mm**
- Available with all common roof sealings (please mention type of connection collar when ordering).

Installation example attica rectangular emergency overflow



Dimension | Art. No.



Attica rectangular emergency overflow 400.35 made of PUR

open width 400 mm, length
 400 mm **3425**
 585 mm **3425.6**
 775 mm **3425.8**



Attica rectangular emergency overflow 600.35 made of PUR

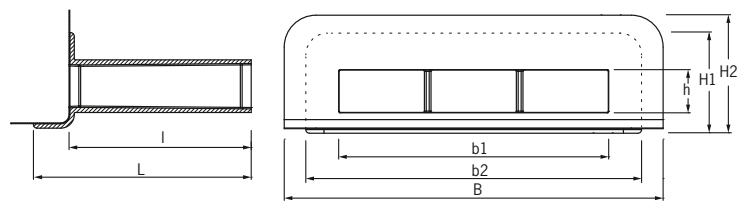
open width 600 mm, length
 400 mm **3427**
 585 mm **3427.6**
 775 mm **3427.8**



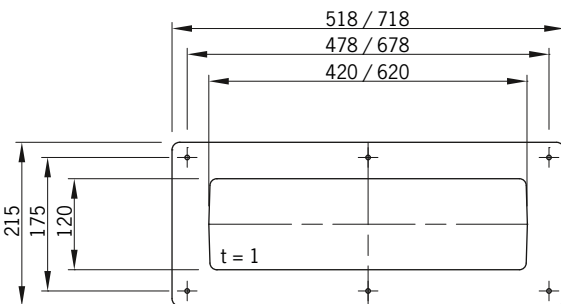
Cover plate made of stainless steel

suitable for attica rectangular emergency overflow 400.35
2463.400
 suitable for attica rectangular emergency overflow 600.35
2463.600

Technical data Attica rectangular emergency overflow 400.35/600.35



Technical data cover plate made of stainless steel



Art. No.	B	b1	b2	h	H1	H2	L	I	Drainage capacities*
3425	635	400	540	100	210	260	480	400	3,4 l/s (35 mm)
3427	835	600	740	100	210	260	480	400	5,2 l/s (35 mm)
3425.6	635	400	540	100	210	260	665	585	3,4 l/s (35 mm)
3427.6	835	600	740	100	210	260	665	585	5,2 l/s (35 mm)
3425.8	635	400	540	100	210	260	855	775	3,4 l/s (35 mm)
3427.8	835	600	740	100	210	260	855	775	5,2 l/s (35 mm)

alle Maße in mm

*Drainage capacity acc. to DIN EN 1253-2 in l/sec (accumulation height in millimeters)