

## ■ Attica Super-2 Drain for use with water collector

2 in 1



Assembly example: Attica Super-2 drain with wedge (long version) with water collector

### Attica Super-2 drain DN 100 made of PUR/ stainless steel

the comprehensive solution for **main and emergency drainage through only one attica passage**. The drain is available in a long or short version, with/without wedge and with various connection collars.

The **scope of delivery** of the **attica Super-2 drain** includes:

- 1 **Attica Super drain DN 100** with/without wedge (without PP pipe)
  - 2 **Stainless steel pipe** with sleeve DN 100, 54 cm long
  - 3 **Stainless steel pipe** with sleeve DN 100, 30 cm long, with cutaway for main and emergency drainage and baffle plate
  - 4 **Water guiding plate front** and
  - 5 **Water guiding plate back** for emergency drainage
  - 6 **Leaf trap grate** made of stainless steel (Art. No. 3494.S(1))
- optional extra:**
- 7 **Water collector** made of zinc sheet (drain support 100 mm/6-piece, Art. No. 3450)
  - 8 **Locking ring DN 100** (Art. No. 2695)



Attica Super-2 drain without wedge (short version)



Attica Super-2 drain with wedge (short version) with water collector



Attica Super-2 drain without wedge (long version) with water collector

# Attica Super-2 Drain for use with a water collector

Dimension | Art. No.

2 in 1



**Attica Super-2 drain made of PUR with wedge (short version)**  
for attica thickness **up to 60 cm**  
DN 100 **3433.BIT.S2**

2 in 1



**Attica Super-2 drain made of PUR without wedge (short version)**  
for attica thickness **up to 60 cm**  
DN 100 **3471.S2**

2 in 1



**Attica Super-2 drain made of PUR DN 100 with wedge (long version)**  
for attica thickness **up to 110 cm**  
DN 100 **3433.BIT.S2.L**

2 in 1



**Attica Super-2 drain made of PUR without wedge (long version)**  
for attica thickness **up to 110 cm**  
DN 100 **3471.S2.L**

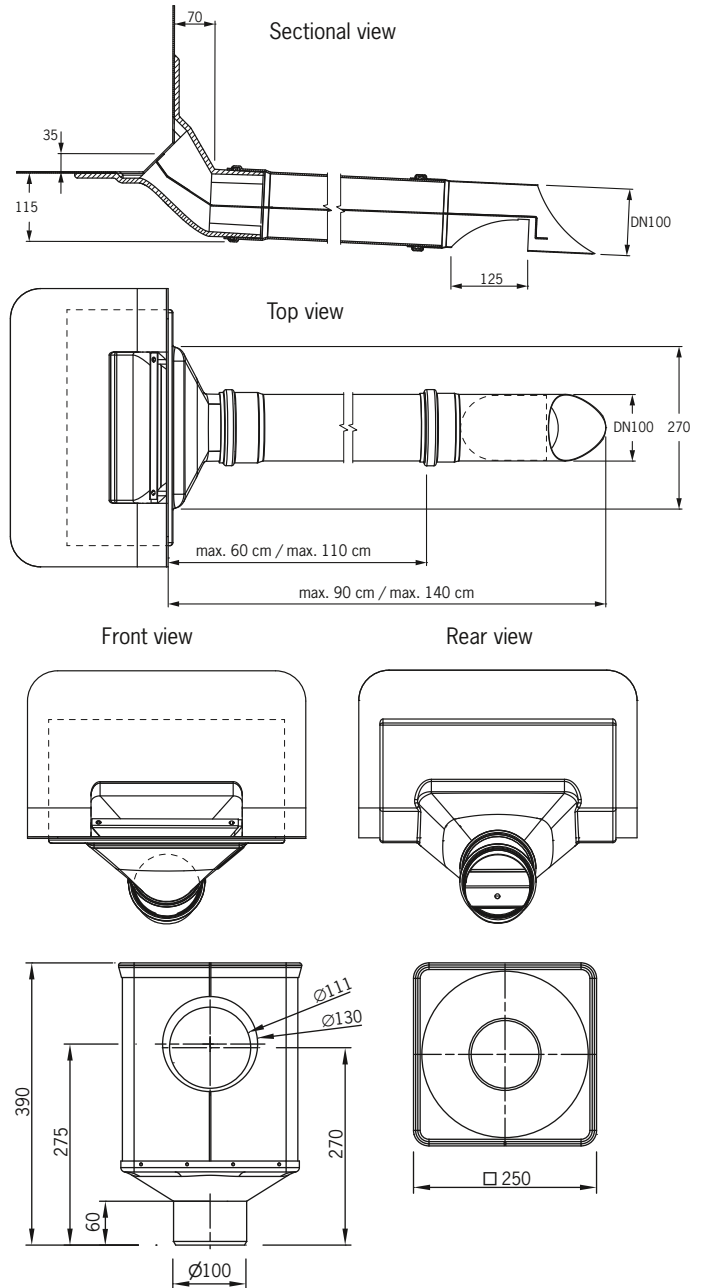


**Water collector**  
**3450**

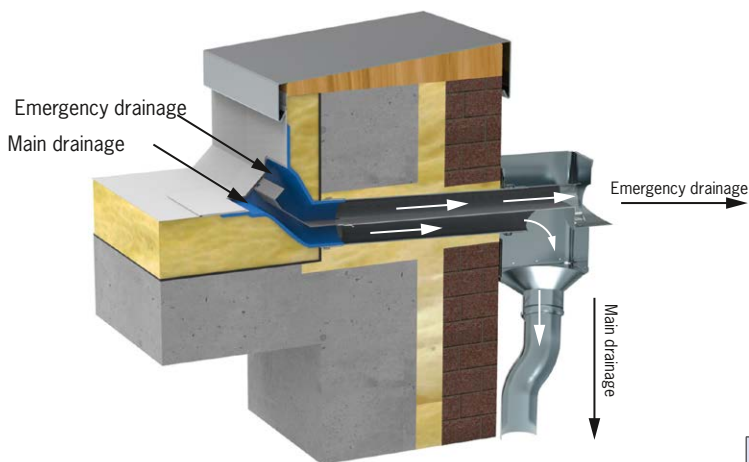


**Safety clamp**  
**2695**

## Technical data Attica Super-2 drain



## Installation example Attica Super-2 drain



Attica Super-2 drain with water collector in an insulated roof.

To prevent frost damage, we recommend using our trace heating systems (see page 74).

Art.	Drainage capacity*
<b>all attica Super-2 drains</b>	Main drainage: 3,6 l/s, Emergency overflow: 3,0 l/s (35 mm)
The use of the stainless steel leaf trap grate does not reduce the drainage capacity!	

\*Drainage capacity acc. to DIN EN 1253-2 in l/sec (accumulation height in millimeters)

## ■ Attica Super-2 Drain with partial flow diversion

2 in 1



Attica Super-2 drain with wedge with partial flow diversion (short version).  
The version with a wedge always comes with a bitumen collar.



Attica Super-2 drain without wedge with partial flow diversion (long version).  
The version without a wedge is available with various connection collars.

**Attica Super-2 drain DN 100 made of PUR/ stainless steel with partial flow diversion** – the solution for **main and emergency drainage through only one attica passage**. The drain is available in a long or short version, with/ without wedge and with various connection collars. The **partial flow diversion enables a direct connection to the downpipe – a water collection box is no longer required here!**

The **scope of delivery** of the **attica Super-2 drain with partial flow diversion** includes:

- 1 **Attica Super drain DN 100** with/without wedge (without PP pipe)
- 2 **Stainless steel pipe** with sleeve DN 100, 54 cm long
- 3 **Partial flow diversion** made of stainless steel
- 4 **Water guiding plate front** and
- 5 **Water guiding plate back** for emergency drainage
- 6 **Leaf trap grate** made of stainless steel (Art. No. 3494.S(1))



Attica Super-2 drain without wedge with partial flow diversion (short version).  
The version without a wedge is available with various connection collars.



Attica Super-2 drain with wedge with partial flow diversion (long version).  
The version with a wedge always comes with a bitumen collar.

# Attica Super-2 Drain with partial flow diversion

Dimension | Art. No.

2 in 1



**Attica Super-2 drain made of PUR with partial flow diversion made of stainless steel with wedge (short version)**  
for attica thickness up to 60 cm  
DN 100 **3434.BIT.S2**

2 in 1



**Attica Super-2 drain made of PUR with partial flow diversion made of stainless steel without wedge (short version)**  
for attica thickness up to 60 cm  
DN 100 **3472.S2**

2 in 1



**Attica Super-2 drain made of PUR with partial flow diversion made of stainless steel with wedge (long version)**  
for attica thickness up to 110 cm  
DN 100 **3434.BIT.S2.L**

2 in 1

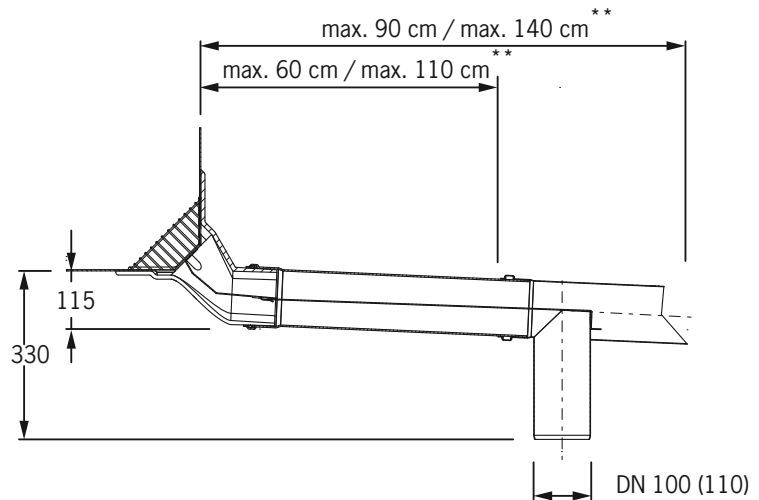


**Attica Super-2 drain made of PUR with partial flow diversion made of stainless steel without wedge (long version)**  
for attica thickness up to 110 cm  
DN 100 **3472.S2.L**

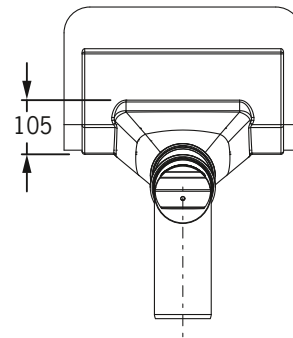


**Adaptor DN 100**  
made of titanium zinc, without seal  
DN 100 **2633**  
i.d. 100, 6-piece  
For a connection with a vertical zinc pipe.  
**Warning! Not backflow-secure!**

## Technical data Attica Super-2 drain with partial flow diversion

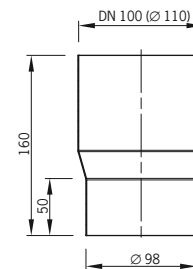
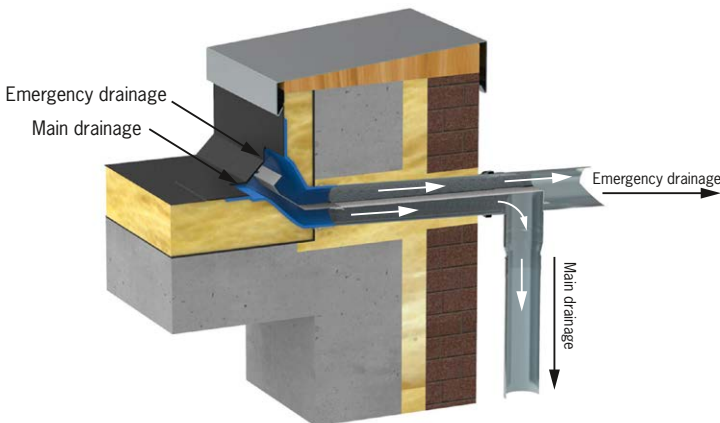


\*\* Long version with 2nd stainless steel pipe and with extended guide plate



## Installation example Attica Super-2 drain with partial flow diversion

## Technical data adaptor



Attica Super-2 drain with partial flow diversion in an insulated roof.  
To prevent frost damage, we recommend using our trace heating systems (see page 74).

Art.	Drainage capacity*
<b>all Attica Super-2 drains</b>	Main drainage: 3,6 l/s, Emergency overflow: 3,0 l/s (35 mm)
The use of the stainless steel leaf trap grate does not reduce the drainage capacity!	

\*Drainage capacity acc. to DIN EN 1253-2 in l/sec (accumulation height in millimeters)