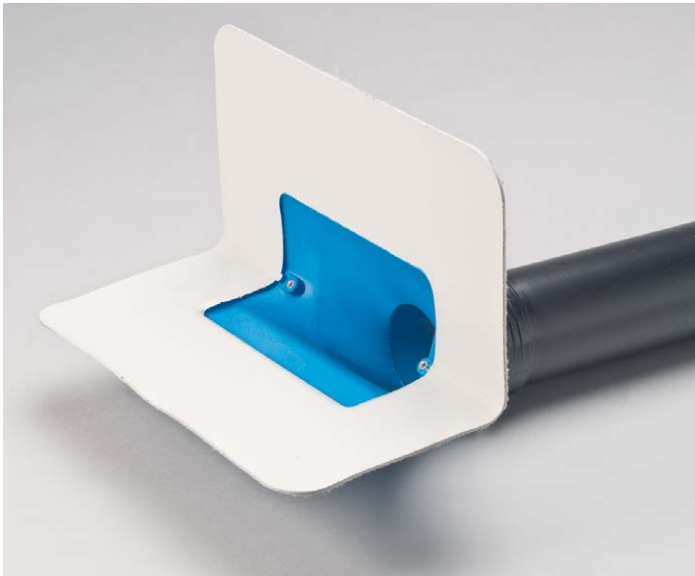


## ■ Attica Super Drain for high Drainage capacities

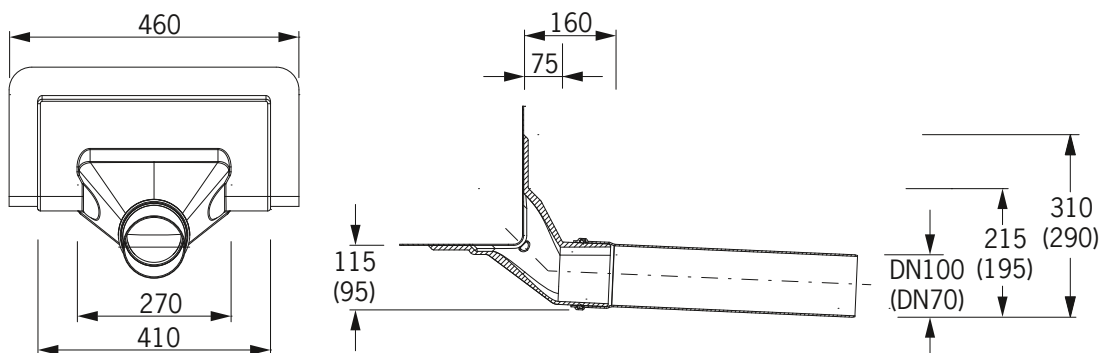
### Attica Super drain DN 70/100 made of PUR or stainless steel

When it needs to be more effective: the drainage capacity needs to be higher, Grumbach developed the Attika super drain.

The Attika super drain DN 70 has a capacity of 3.8l/sec at 35 mm accumulation height (the attica Super drain DN 100 has a drainage capacity of 4.9 l/s).



### Technical data attica Super drain made of PUR without wedge



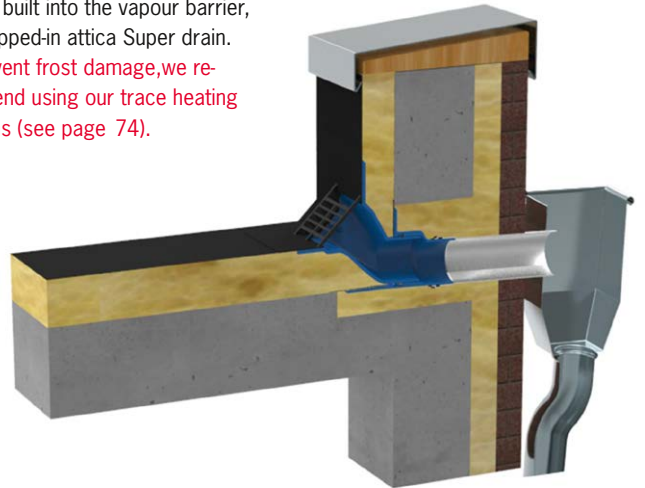
### Attica Super drain DN 70/100 made of PUR

The proven attica Super drain made of PUR is now also available without wedge section in the corner for corresponding attica versions. Of course with the same high drainage capacities and large choice of connection collars.

### Installation example Attica Super drain made of PUR

Attica balcony drain with slip-in socket built into the vapour barrier, with slipped-in attica Super drain.

To prevent frost damage, we recommend using our trace heating systems (see page 74).



### Installation example Attica Super drain made of PUR without wedge

Attica balcony drain with slip-in socket built into the vapour barrier, with slipped-in attica Super drain without wedge section in the corner.

To prevent frost damage, we recommend using our trace heating systems (see page 74).



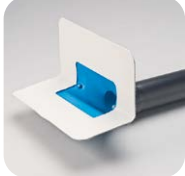
# Attica Super Drain with accessories

Dimension | Art. No.



### Attica Super drain with wedge made of PUR

with PP pipe (55 cm lang)  
DN 70 **3431.BIT**  
DN 100 **3433.BIT**



### Attica Super drain without wedge made of PUR

with PP pipe (55 cm lang)  
DN 70 **3470**  
DN 100 **3471**



### Attica Super drain made of stainless steel

with welded stainless steel pipe  
DN 70 **2432**  
DN 100 **2434**



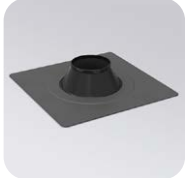
### Attica leaf trap grate made of stainless steel

for attica Super drain made of PUR with wedge **3494.S**  
for attica Super drain made of PUR without wedge **3494.S1**  
for attica Super drain made of stainless steel **3494.SE**



### Pebble trap made of PE

for attica Super drain made of PUR with wedge **3495.S**  
for attica Super drain made of PUR without wedge **3495.S1**



### Connecting piece for vapour traps fastening cuff

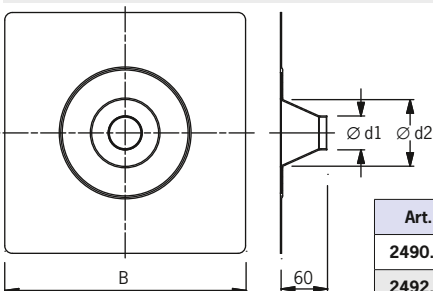
DN 50 **2490.M**  
DN 70 **2492.M**  
DN 100 **2494.M**  
DN 125 **2497.M**  
DN 150 **2498.M**



### Safety clamp

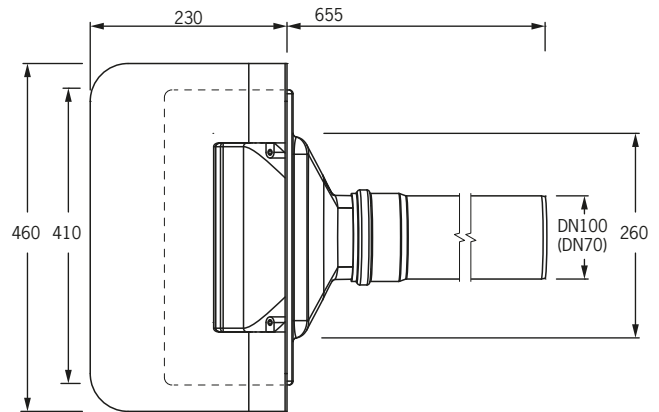
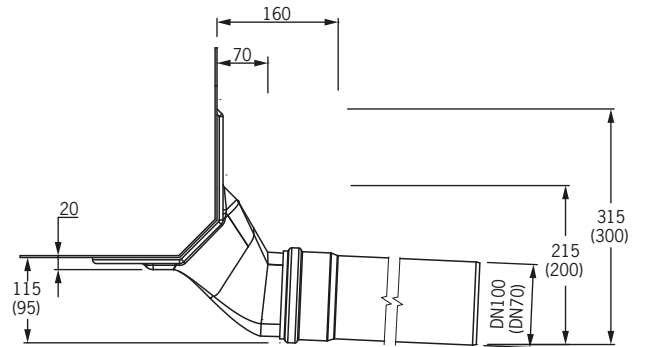
DN 50 **2691**  
DN 70 **2693**  
DN 100 **2695**

### Technical data connecting piece for vapour traps fastening cuff

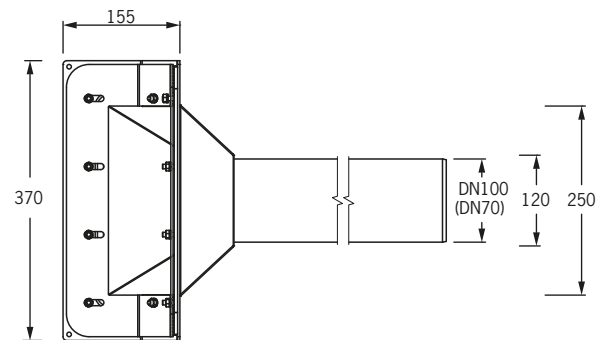
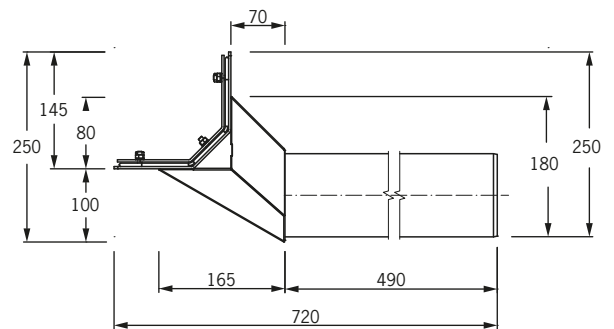


Art.	DN	d1	d2	B
<b>2490.M</b>	50	45	90	230
<b>2492.M</b>	70	65	105	230
<b>2494.M</b>	100	97	120	320
<b>2497.M</b>	125	113	160	320
<b>2498.M</b>	150	139	180	320

### Technical data attica Super drain made of PUR



### Technical data Attica Super drain made of stainless steel



Art.	Drainage capacity*
<b>3431.BIT, 3470, 2432</b>	3,8 l/s (35 mm) at downpipe
<b>3433.BIT, 3471, 2434</b>	4,9 l/s (35 mm) at downpipe

The use of the stainless steel leaf trap grate does not reduce the drainage capacity!

\*Drainage capacity acc. to DIN EN 1253-2 in l/sec (accumulation height in millimeters)