

■ Collar Drain DN 200 It doesn't get any bigger!



Securing groove + pebble trap = secure pebble collection

The securing groove ensures that the connection between the body of the drain and the pebble trap is permanently secure.

Securing groove + anti-backflow seal = Secure backflow prevention

If base elements and extensions are used, as in e.g. insulated roofs, then the securing groove of the base element would be connected with the anti-backflow seal. The anti-backflow seal, which was specially developed for the collar drain, can be securely fastened to the securing groove.

If the extension element is fitted into the base element, then the required backflow prevention is provided.

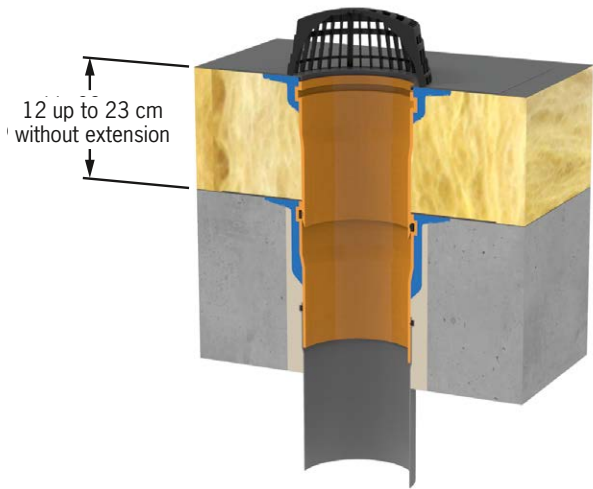
The seal cannot slip during this process as the seal always sits correctly.

Collar drain DN 200 made of PUR

CFC-free, with pebble trap incl. fastening material and foam-filled connection collar (bitumen, PVC or special foil).

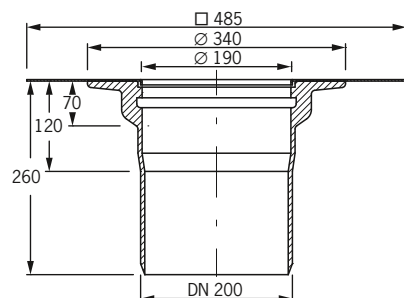
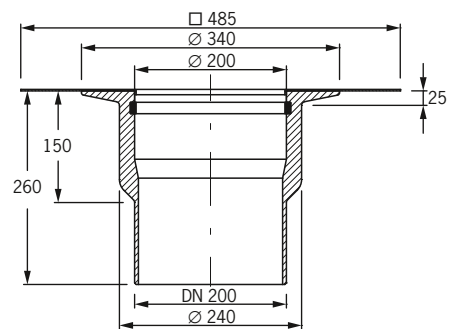
Extension element with connection collar (bitumen, PVC or special foil) and anti-back flow seal, suitable for the collar drain DN 200.

Installation example collar drain DN 200



Collar drain vertical DN 200 with extension element in an insulated roof

Technical data collar drain DN 200



Dimension | Art. No.

Collar drain made of PUR

vertical:
DN 200 **3009**

Extension element made of PUR

DN 200
12 up to 23 cm **3084**

