

■ Combi Drain II NEW!

for main *and* emergency Drainage

2 in 1



The emergency drainage pipe made of sturdy PE pipe fittings is simply inserted into the combi drain type II. When ordering, the pipe is manufactured in the required length depending on the existing extension or the desired accumulation height.

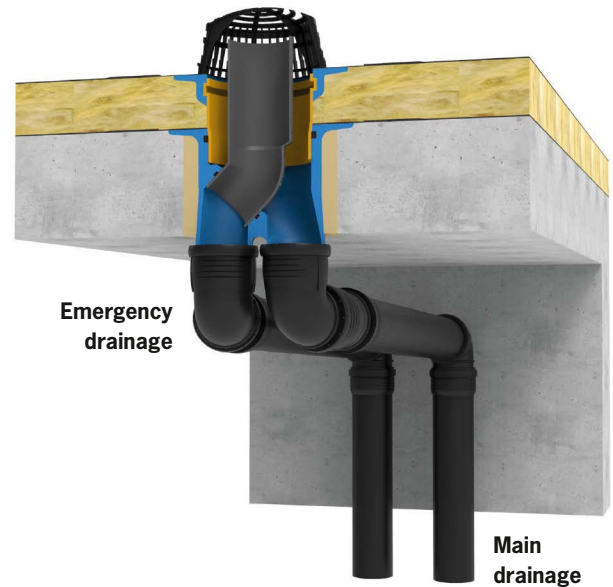
Combi drain type II made of PUR

Efficient 2-in-1 system for combined main and emergency drainage through **one** ceiling opening; thermally insulated, CFC-free, with gravel trap, emergency drainage pipe and firmly cast-on sealing collar.

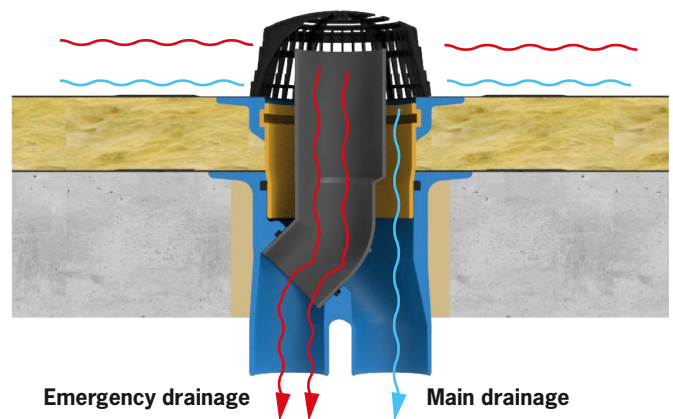
The proven principle of the Combi drain type I is now also used for main and emergency drainage through a ceiling opening.

The emergency drainage pipe is simply inserted into the drain. The gravel trap protects both drains at the same time. Every hole less makes a roof better!

Installation example combi drain type II



Functional principle of combi drain II (main / emergency drainage)



Dimension | Art. No.

NEW!



Combi drain type II made of PUR
vertical:
DN 100/100 **3221**
Drain. capacity*: 9,4 l/s (35 mm)



Extension element made of PUR
DN 200, 12 up to 23 cm
3084

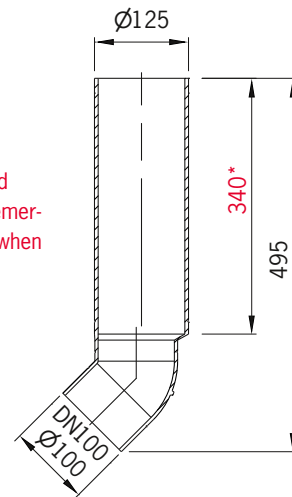
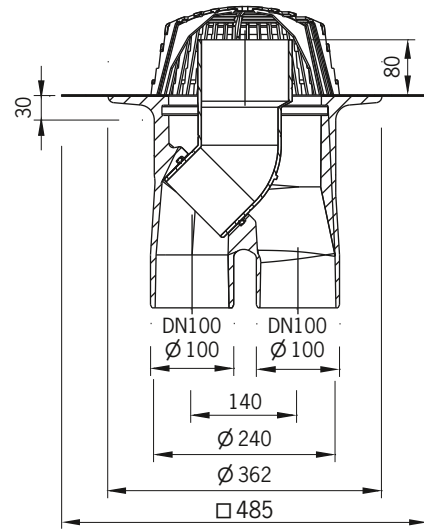


Emergency drainage pipe
made of sturdy PE pipe fittings
(Included in delivery)



Emergency drainage pipe
For use with extension element (included in delivery), please specify desired length when ordering.

Technical Data



*please specify desired length/height of the emergency drainage pipe when ordering.



Drainage capacity in l/s at accumulation height in millimeters						
	15 mm	25 mm	35 mm	45 mm	55 mm	65 mm
Main drainage	3,0	5,9	9,4	14,1	16,9	18,0
Emergency drainage	2,3	4,5	7,0	11,1	15,0	18,0

*Drainage capacity acc. to DIN EN 12532 in l/sec (accumulation height in millimeters)