

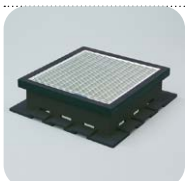
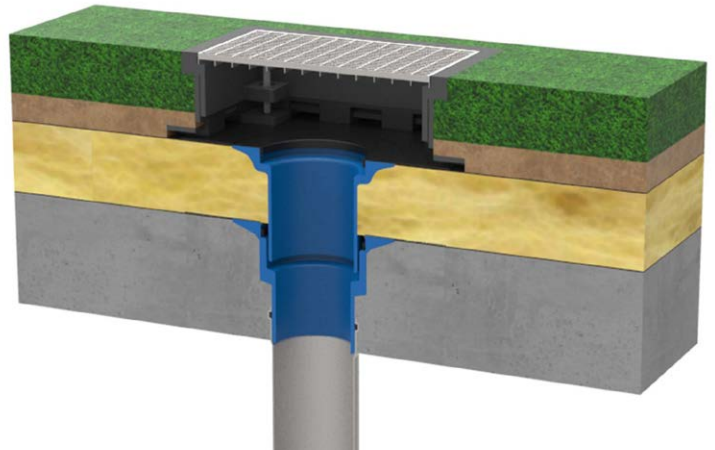
Green roof safety drain made of PUR, 500 x 500 mm, consists of bottom part, top part and galvanised inlet grate, max. Load 0.5 t, height-adjustable: 160–220 mm

### The green roof safety drain

is the secure, robust drain for green roofs etc.

- made of PUR, resilient up to 0,5 t
- with lid made of steel, hot dipped galvanised
- secure drainage on two levels
- accessible drain, even for back-up
- for every construction height from 16 cm

### Installation example green roof safety drain



Dimension | Art. No.

#### Green roof safety drain made of PUR

500 mm **5000**



#### Extension element made of PUR for 80 mm extension

suitable for Art. No. 5000  
**5001**



#### Green roof safety drain small made of PUR

365 mm **5010**  
without sieve panel, as extension element up to 93 mm extension  
**5011**

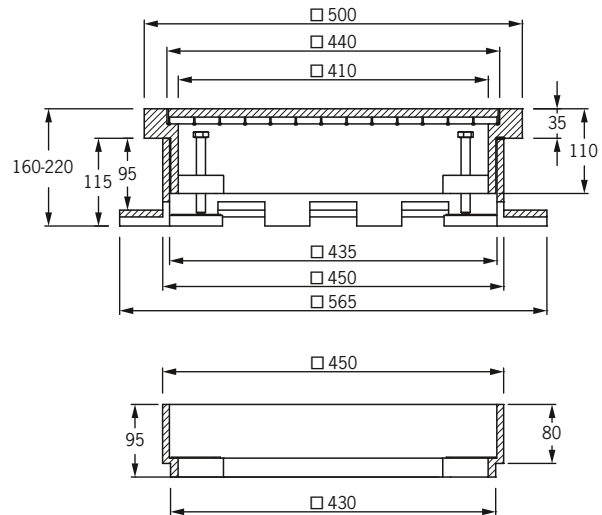


#### Green roof safety drain small made of PUR PLUS

as Art. 5010, although with cladding from above made of stainless steel

**5010.E**

### Technical data green roof safety drain



### The green roof safety drain small made of PUR

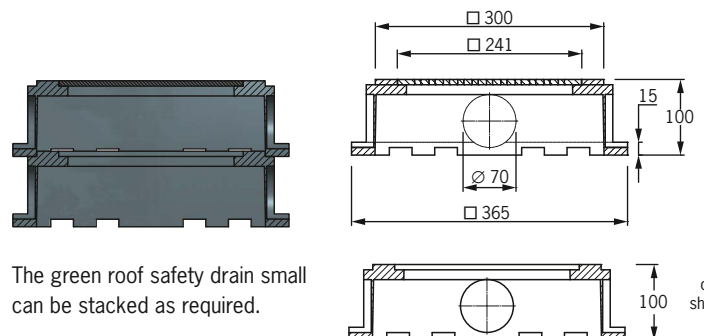
- especially suited for extensively vegetated green roofs



Green roof safety drain made of PUR, 365 x 365 mm, with pre-formed connections for drainpipe  $\varnothing$  70 mm and sieve panel made of aluminum. Height 100 mm

**Especially suited for extensively vegetated flat roofs!**

### Installation example and technical data green roof safety drain small



The green roof safety drain small can be stacked as required.