

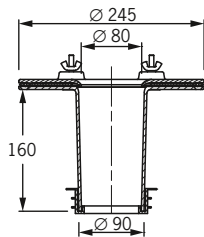
Redevelopment Drains for redeveloping old pipes**

Installation example redevelopment drain made of aluminum DN 90



Redevelopment drain made of aluminum DN 90 for the redevelopment of sleeveless pipes and roof drains DN 100 without applying extra insulation.

Technical data redevelopment drain made of aluminum DN 90



Art.	DN	Actual \varnothing	Drainage capacity*
2303	90	90	3,9 l/s (35 mm)

“Pipe redevelopment” is the up-to-date redevelopment method

The redevelopment drains made of PUR

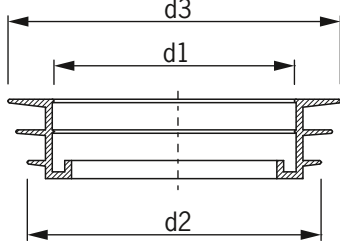
36/56/88/103/110 can be simply inserted into the old drains or pipes DN 50, 70, 100 or 125. **The extra-long supports** reach through the pot of the old drain into the downpipe or the support of the old drain – the internal diameter of the pot of the existing drain is not longer relevant. That is the decisive advantage in comparison with the “traditional” redevelopment drains (Pages 13 and 14)! **The DIN requirements are still fulfilled despite the reduction of the nominal width in most cases.**



Redevelopment drain made of PUR 36/56/88/103/110

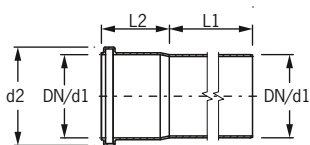
Accessories for all redevelopment drains

Lip seal for redevelopment



drain Art. No.	d1 (DN)	d2	d3	Range (pot-inside- \varnothing)	Dimension Art. No.
3311	36	45	52	42–45 mm	DN 36 3311.D
3313	56	76	85	65–80 mm	DN 56 3313.D
drain DN 70	70	83,5	95	84–90 mm	DN 70 2380
2302	70	95,5	116	88–105 mm	DN 70 2382
3315/2303	88/90	105	122	100–115 mm	DN 88/90 3315.D
drain DN 90	90	110	121	95–105 mm	DN 90 2381
3317	103	127	134	117–126 mm	DN 103 3317.D
2304, 3314	110	130	150	123–135 mm	DN 100 2384
2306, 3306	125	142	167	140–150 mm	DN 125 2386
2307, 3307	140	158	179	155–165 mm	DN 140 2307.D
2308, 3308	150	175	212	172–185 mm	DN 150 2388
3329	170	190	210	185–198 mm	DN 170 3329.D
3309	200	217	241	215–230 mm	DN 200 2389

HT-pipe with sleeve (length 0,5 m)



DN	d1	d2	L1	L2	Dimension Art. No.
50	50	62	500	63	DN 50 2390
70	75	88	500	67	DN 70 2391
90	90	105	500	70	DN 90 2393
100	110	125	500	80	DN 100 2392
125	125	144	500	90	DN 125 2394
150	160	183	500	100	DN 150 2395

Redevelopment Drains for redeveloping old pipes**

Dimension | Art. No.



**Redevelopment drain
made of PUR 36**
vertical:
36 **3311**
Redeveloping old drains DN 50



**Redevelopment drain
made of PUR 56**
vertical:
56 **3313**
Redeveloping old drains DN 70



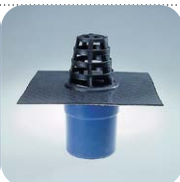
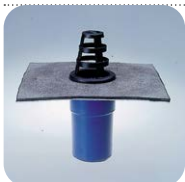
**Redevelopment drain
made of PUR 88**
vertical:
88 **3315**
Redeveloping old drains DN 100



**Redevelopment drain
made of PUR 103**
vertical:
103 **3317**
Redeveloping old drains DN 125

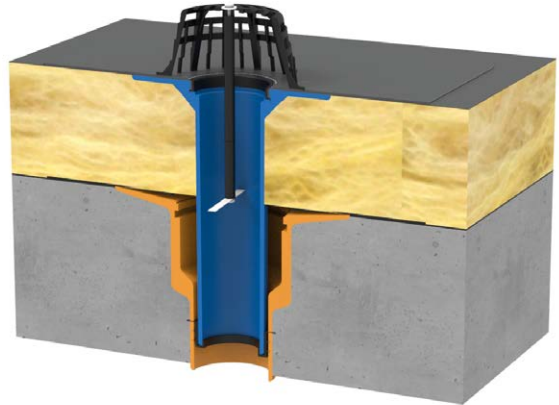


**Redevelopment drain
made of PUR 110 (DN 100)**
vertical:
110 **3314**
suitable for pipes DN 100 with
sleeve, therefore without seal



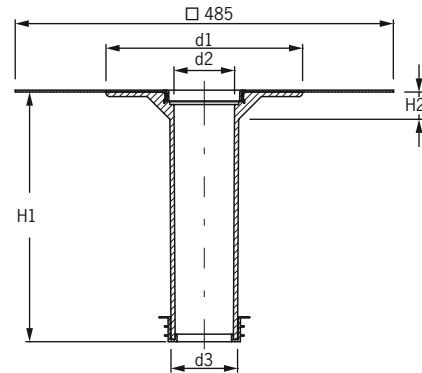
Garage drain made of PUR
vertical:
DN 50 **3300**
DN 70 **3302**

Installation example pipe redevelopment



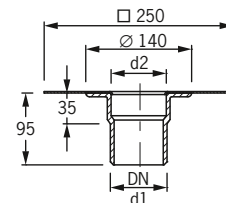
Redevelopment drain with connection collar and backflow seal in the maintained drain support

Technical data Redevelopment drains made of PUR



Art.	d1	d2	d3	H1	H2	Drainage capacity*
3311	105	26	36	110	6	1,7 l/s (35 mm)
3313	260	51	56	325	25	3,2 l/s (35 mm)
3315	260	80	88	325	35	4,5 l/s (35 mm)
3317	260	97	103	325	40	3,3 l/s (35 mm)
3314	260	100	110	300	35	4,6 l/s (35 mm)

Technical data Garage drain made of PUR



Art.	DN	d1	d2	Drainage capacity*
3300	50	50	48	1,9 l/s (35 mm)
3302	70	75	83	1,7 l/s (35 mm)

** Drainage capacity acc. to DIN EN 12532 in l/sec (accumulation height in millimeters) * * Bei einer Sanierung können wir eine absolute »Rückstau-Dichtheit« nicht garantieren.