

■ Ventilation redevelopment, roof and small roof vents

NEW!



Redevelopment vent made of PUR, including:

Water deflector, made of PE

Ventilation pipe, made of PE

Redevelopment vent

Lip seal

Grumbach redevelopment vent made of PUR

heat insulated, CFC-free, with lip seal; adhesive flange with foam-filled connection collar (bitumen, PVC or special foil), backflow seal, PVC pipe and water deflector.



The Grumbach Redevelopment vent

is suitable for backflow-free connection of drain connections onto sleeveless pipes and into the sealing surface.

Installation example redevelopment vent

Ventilation inlet redevelopment insulated roof construction

Top part:
New ventilation pipe with adhesive collar and water deflector inserted in redevelopment vent.

Bottom part:
Redevelopment vent inserted into old sleeveless ventilation pipe



Grumbach roof vent made of PUR

with broad adhesive collar and heavy rainproof cover. This ensures that the gap in the cold roof is well ventilated. See next page.



Roof vent DN 200



Roof vent with connection collar, on request.

NEW!

Ventilation redevelopment, roof and small roof vents

Dimension | Art. No.



**Redevelopment vent
56/88/103 made of PUR**
56 for DN 70 **5161**
88 for DN 100 **5163**
103 for DN 125 **5165**

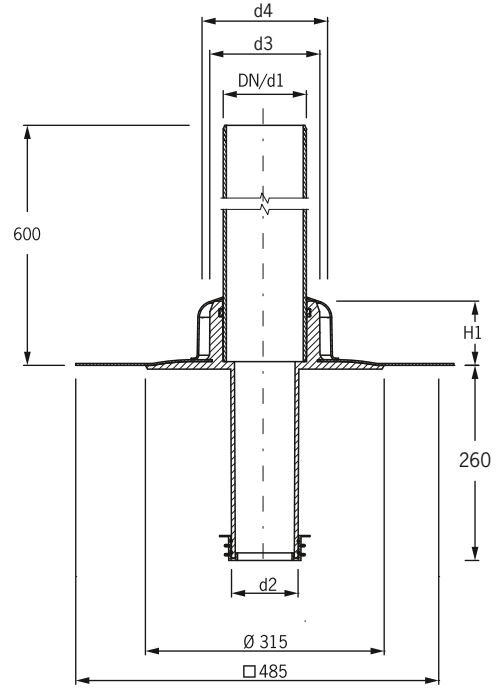


Roof vent DN 200 made of PUR
with rain cap **5157**
without rain cap **5159**



Cold roof vent with connection collar
DN 70 **5151**
DN 100 **5152**
DN 125 **5153**
DN 150 **5156**

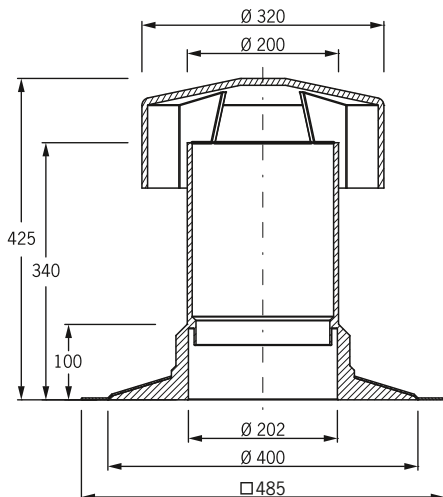
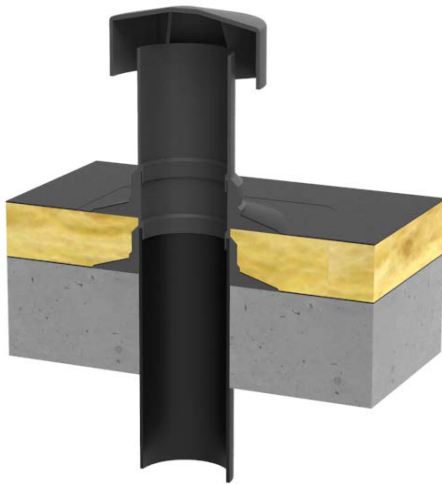
Technical data redevelopment vent



| Art. | DN | d1 | d2 | d3 | d4 | H1 |
|------|-----|-----|-----|-----|-----|----|
| 5161 | 70 | 75 | 56 | 112 | 131 | 75 |
| 5163 | 100 | 110 | 88 | 140 | 166 | 85 |
| 5165 | 100 | 110 | 103 | 140 | 166 | 85 |

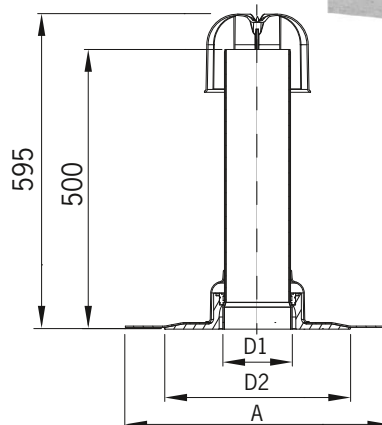
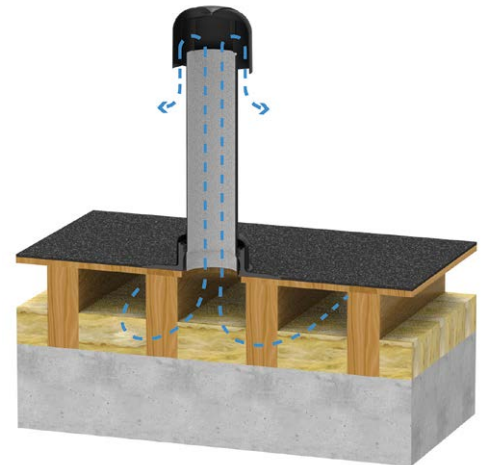
Installation example und technical data roof vent DN 200

Roof vent DN 200 applied on a second, shortened roof vent DN 200, inserted into an insulated roof.



Installation example und technical data cold roof vent

Cold roof vent for ventilation in a roof seal of a ventilated roof construction.



| Art. | DN | D1 | D2 | A |
|------|-----|-----|-----|-----|
| 5151 | 70 | 75 | 310 | 485 |
| 5152 | 100 | 110 | 300 | 485 |
| 5153 | 125 | 125 | 350 | 485 |
| 5156 | 150 | 160 | 400 | 500 |