

Ventilation for roofs with and without insulation

Grumbach adhesive collars

with lip seal, fit onto all plastic pipes

Rain cap made of PE resp. PA

Water deflector
made of PE,
included in a scope
of delivery of the
ventilation pipe

Adhesive collar
made of PUR with
selectable connec-
tion collar (two pic-
es are requested
for insulated roofs)

Ventilation pipe made of PE



The adhesive collar

made of PUR, CFC-free with
foamfilled connection collar, PVC or
special foil).

Water deflector

serves to protect the lip seal on the
adhesive collar/flange from effects
of the environment.

The rain cap

is suitable for ventilation pipes. It is
required for room ventilation.

Ventilation pipes

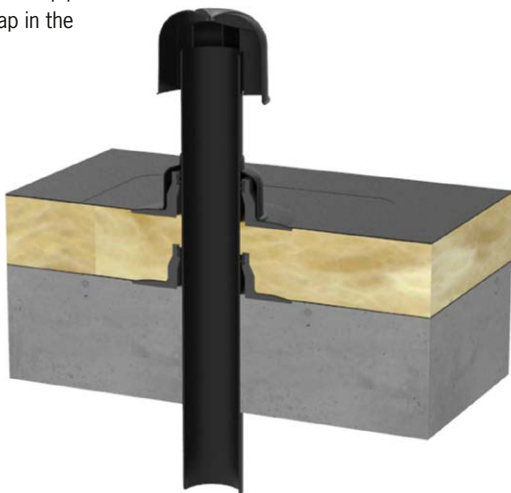
Simply install the ventilation pipe
up to the required height above
the roof and dependent on the roof
construction add an adhesive flange
or adhesive collar.



Ventilation for insulated roof

Installation example insulated roof vent

Two adhesive collars plus
water deflector fitted
onto a PE ventilation pipe
including rain cap in the
insulated roof



Energy lead-in made of PE

Energy lead-in made of PE

For the implementation of all kinds
of energy lines through the flat roof
seal. Also suitable for ventilation of
the whole pipe cross section. Flat
roof seal. Suitable for the ventilation
pipes made of PE.



Protection cap made of EPDM

- for energy lead-ins
DN 70–DN 150, easy to apply
- 6 sealing lip for secure attach-
ment
- protects against the ingress of dirt
and animals/insects
- prevents moisture and air ex-
change, waterproof
- with prefabricated cutting aids for
the implementation of different
cable diameters

Dimension | Art. No.



Adhesive collar made of PUR	
DN 70	5102
DN 100	5104
DN 125	5106
DN 150	5108



Ventilation pipe made of PE	
DN 70	5122
DN 100	5124
DN 125	5126
DN 150	5128



Rain cap made of PE resp. PA	
DN 70	5131
DN 100	5133
DN 125	5135
DN 150	5137



Protective basket made of PE	
DN 70	3492.S
DN 100	3493.S
DN 125	3498



Extension piece made of (PE) for energy inlet	
DN 70	5142
DN 100	5144
DN 125	5146
DN 150	5148



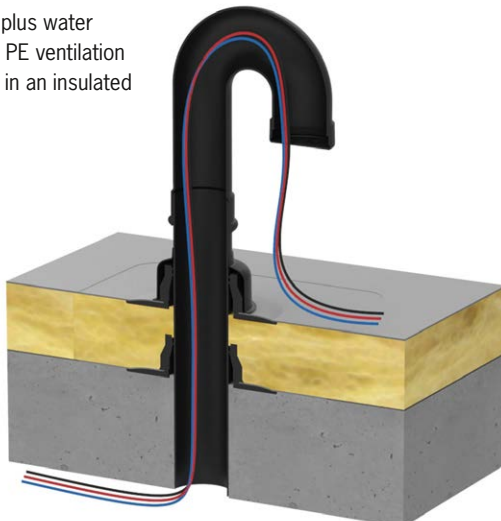
Protection cap made of EPDM	
DN 70	5342
DN 100	5344
DN 125	5346
DN 150	5348



Condensation drain (Attachment)	
DN 100	5145

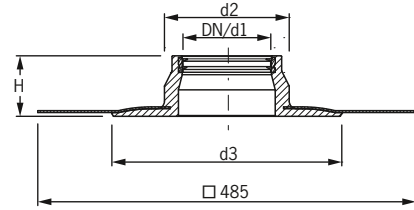
Installation example energy inlet

Two adhesive collars plus water deflector placed on a PE ventilation pipe incl. energy inlet in an insulated roof.



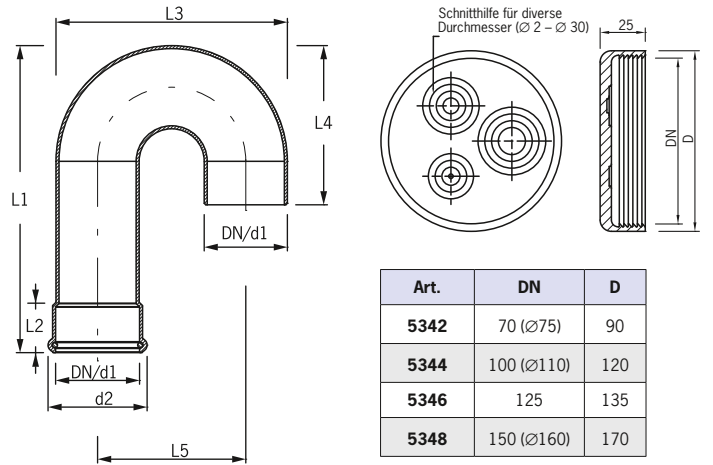
Ventilation for roofs with and without insulation

Technical data adhesive collars/flanges



Art.	DN	d1	d2	d3	d4	H
5102	70	75	160	310	–	80
5104	100	110	165	300	–	85
5106	125	125	185	355	–	70
5108	150	160	200	395	–	75

Technical data energy inlet and protection cap



Art.	DN	d1	d2	L1	L2	L3	L4	L5
5142	70	75	95	340	65	215	165	140
5144	100	110	130	410	65	310	215	196
5146	125	125	150	345	65	345	210	220
5148	150	160	190	400	65	450	255	290