

only 12.5 resp. 15 cm depth!

Construction height 110 cm



WC-block 110 cm high for flush panels "Sigma 01/10/20/21/30/50/70" (Geberit®)

Art.-No. 1401.N 440,- €
Height 110 cm, Width 50 cm,
Depth 15 cm

Art. 1401.N.125 445,- €
Height 110 cm, Width 50 cm,
Depth 12.5 cm

Art.-No. 1401.N.V 480,- €
Height 110 cm, **Width 55 cm**,
Depth 15 cm

Art. 1401.N.V.125 485,- €
Height 110 cm, **Width 55 cm**,
Depth 12.5 cm

■ as Art.-No. 1401.N, but as **reinforced version** for installation in stud walls

■ as Art.-No. 1401.N.125, but as **reinforced version** for installation in stud walls

With dual volume flush technology and completely fitted for wall-hanging WC:

- adjustable in 4-stages
- for screwing in front of the wall or to be walled in (lateral mortar grooves)
- with fastening material
- with sound proof set
- metre indication line
- with height-adjustable feet (up to 15 cm)
- corner valve 1/2"
- U-shaped with assembly room cover below
- moulded cistern
- with WC connection pipes \varnothing 90 mm
- with WC fastening set
- with WC connection pipes (90° bend made of PE \varnothing 90/90 mm and PE adaptor \varnothing 90/110 mm)
- site protection caps
- actuation from the front
- without flush panel
- equipment for shower WCs on request and at extra cost possible

Example see page 37!

Flush panels for Grumbach WC-blocks



Sigma 01



Sigma 10



Sigma 20/21



Sigma 30



Sigma 30
start-stop-flush



Sigma 50



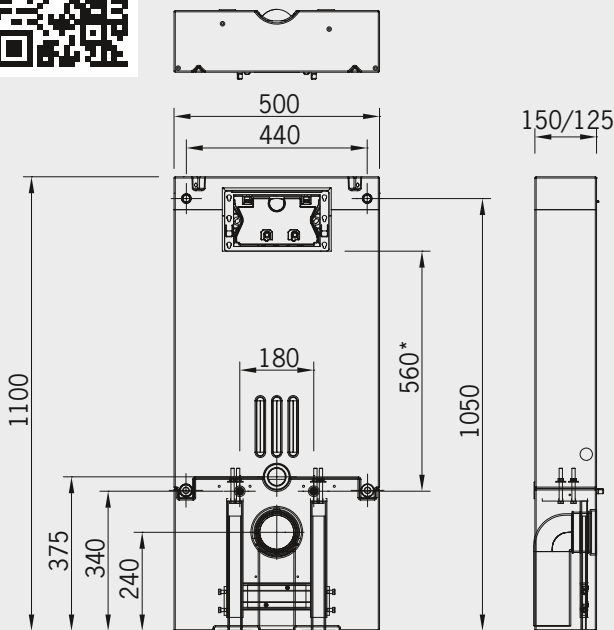
Sigma 70



Mambo



Scan the QR code and watch the **assembly video**.



* up to the bottom edge of the button

Set connection supports (\varnothing 90 mm)

Art.-No. 1419.3 40,- €
for wall-hanging-WC, 3 cm split-levelled, made of PP

Art.-No. 1419.7 80,- €
for wall-hanging-WC, 7 cm split-levelled, made of PP

Art.-No. 1419.5 34,- €
f. wall-hanging WC, 5 cm split-levelled, made of PVC

The split-levelled fittings, which lead to the back of the connection supports are optimal for drain connections in renovations, if drains are already in the walls.



Art.-No. 1419.3



Art.-No. 1419.5



Art.-No. 1419.7