



■ **SLIM-BLOCK for flush panels**
 “Sigma 01/10/20/21/30/50/70” (Geberit®)

■ **WC-block 28.5 cm narrow SLIM-BLOCK**

Art.-No. 1702 475,- €

Height 110 cm, Width 28.5 cm, Depth 15 cm

■ **WC-block 34 cm narrow SLIM-BLOCK**

Art.-No. 1702.S 515,- €

Height 110 cm, Width 34 cm, Depth 15 cm

- **reinforced version** for installation in stud walls

With dual volume flush technology and completely fitted for wall-hanging WC:

- for screwing in front of the wall or to be walled in
- with fastening material
- with sound proof set
- metre indication line
- with height-adjustable feet (up to 15 cm)
- U-shaped assembly space cover below
- with Corner valve 1/2"
- moulded cistern
- with WC connection set \varnothing 90 mm
- with WC fastening set
- with WC connection pipes (90°-bend made of PE \varnothing 90/90 mm and PE adaptor \varnothing 90/110 mm)
- site protection caps
- actuation from the front
- without flush panel

■ **Flush panels for Grumbach WC-blocks**



Sigma 01



Sigma 10



Sigma 20/21



Sigma 30



Sigma 30 start-stop-flush



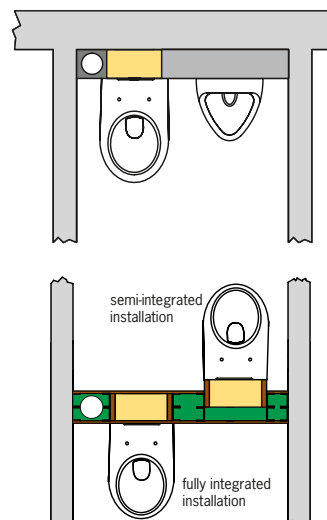
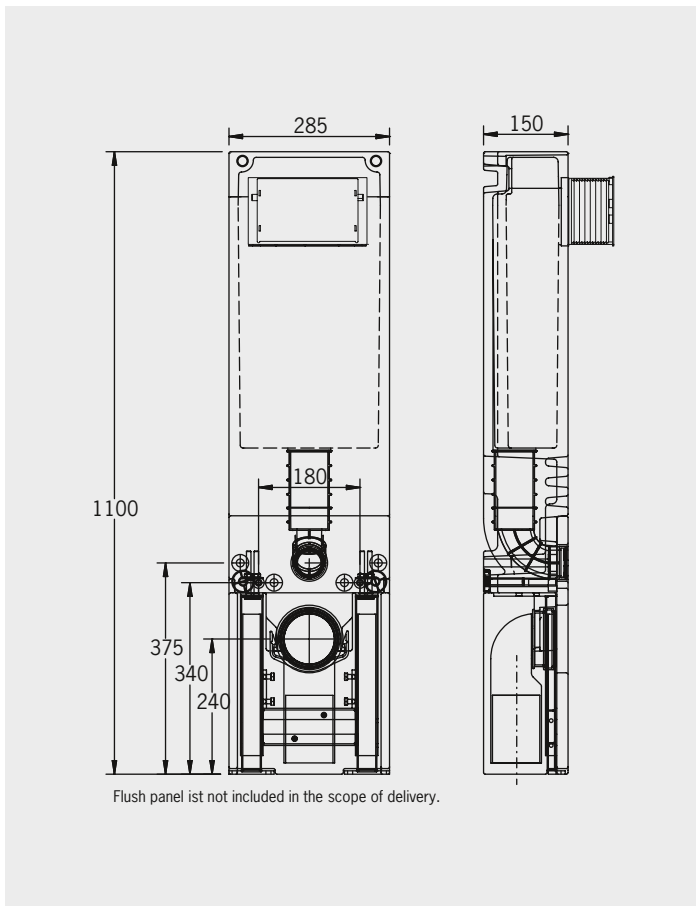
Sigma 50



Sigma 70



Mambo



Pre-wall installation with 15 cm depth only, direct next to a downpipe

Fully or semi integrated installation in very narrow stud walls are possible due to the reinforced version (Art.-No. 1702.S).