

Construction height 110 cm



WC-block 110 cm high, slanted (Art. No. 1601.N), here shown with moulded connection piece (Art. No. 1906)

■ **WC-block 110 cm high, slanted, for flush panels "Sigma 01/10/20/21/40/50" (Geberit®) without moulded connection piece**

Art.-No. 1601.N

625,- €

Height 110 cm, Width 50 cm, Depth 15 cm

- designed for the corner, with room for downpipes behind the element
- **without moulded connection piece**

With dual volume flush technology resp. start-stop flush and completely fitted for wall-hanging WC:

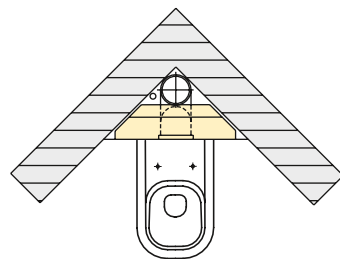
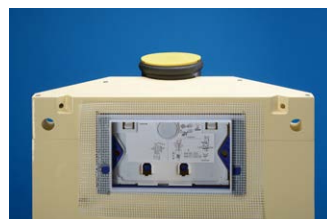
- fastening material
- with sound proof set
- with height-adjustable feet (up to 15 cm)
- assembly space cover below
- moulded cistern (internal parts from Geberit®) incl. cistern protection
- building protection caps
- metre indication line
- corner valve 1/2"
- with WC connection pipes 90°-bend made of PE \varnothing 90/90 mm and PE adaptor \varnothing 90/110 mm
- with WC fastening set (threaded bolts, nuts and caps)
- with WC connection set \varnothing 90 mm
- with actuation from the front without flush panel

■ **Connection piece made of PE pipe**

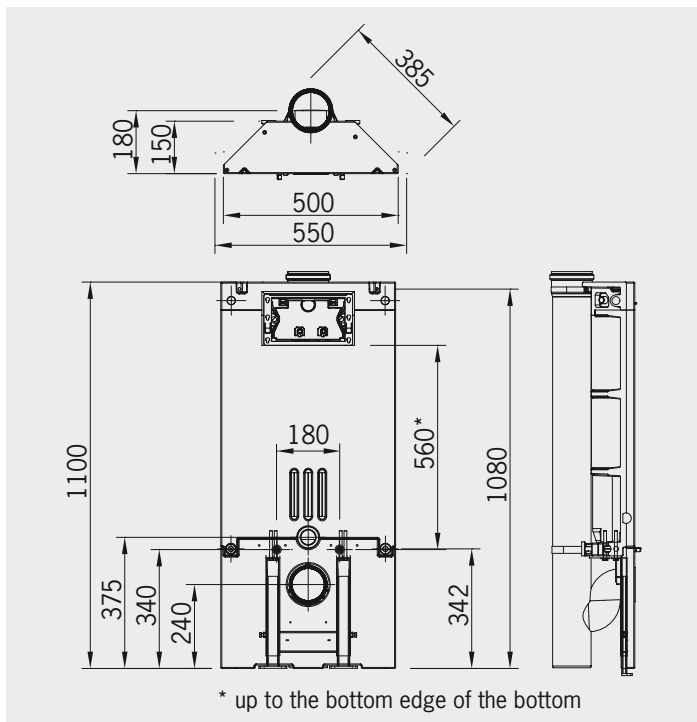
Art.-No. 1906

145,- €

- Moulded connection piece made of PE pipe for direct connection of the slanted WC block to the downpipe DN 100



Installation example: WC-block 110 cm, slanted; fastening in a corner with downpipe



* up to the bottom edge of the bottom