



Sanitary blocks

■ **SLIM-BLOCK 15 degree complete set, consisting of an angle element for lateral mounting and a narrow WC-block (20 cm)**

■ **SLIM-BLOCK 15 degree complete set left side 110 cm high**

**Art.-No. 1701.15.L 675,- €**

consisting of:

1. 15-degree-element sidewall wedge, <b>Art.-No. 1791</b>	90,-€
2. WC-block 20cm narrow (SLIM-BLOCK), <b>Art.-No. 1701</b>	475,-€
3. 15-degree-element backwall wedge, <b>Art.-No. 1792</b>	110,-€
4. 15-degree-element side cladding wedge, <b>Art.-No. 1791.2</b>	70,-€
5. 15°-element front panel, <b>left-hand version, Art.-No. 1793.L</b>	75,-€
<b>With the complete set, you save 150,- €</b>	<b>825,- €</b>

■ **SLIM-BLOCK 15 degree complete set right side 110 cm high**

**Art.-No. 1701.15.R 675,- €**

as Art.-No. 1701.15.L, but

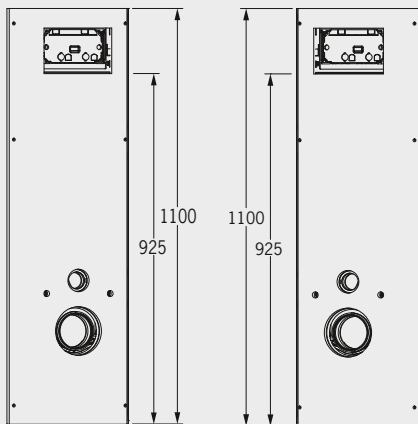
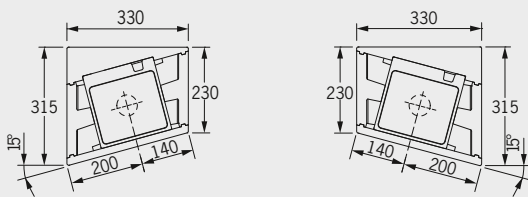
5. 15°-element front panel, **right-hand version, Art.-No. 1793.R**

**It is possible to install a wall-hanging WC using the Grumbach SLIM-BLOCK angle element a perfect solution for e.g. "tube-shaped bathroom"!**

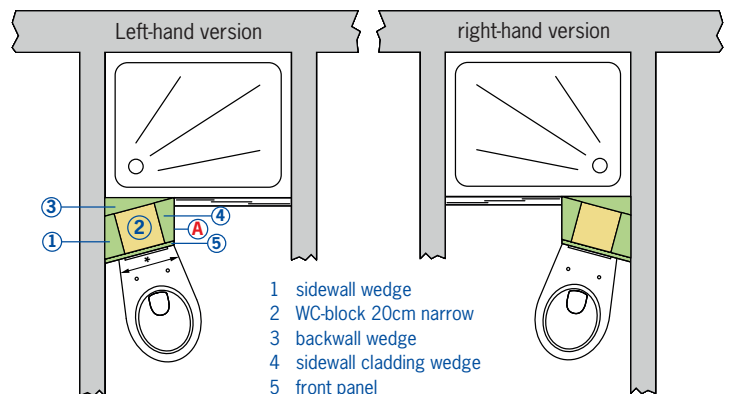
- made of high-quality, CFC-free Polyurethane (PUR)
- including adjusting mechanism for compensating for the unevenness of the mounting wall.
- can be tiled directly



**Installation example see page 36!**



Scan the QR-Code and see the **assembly video**.



- 1 sidewall wedge
- 2 WC-block 20cm narrow
- 3 backwall wedge
- 4 sidewall cladding wedge
- 5 front panel

\* max. WC-width of 280 mm at the fastening side. For use of wider WC bowls, area **A** has to be reinforced with additional panels.



■ 15-degree-element  
sidewall wedge  
110 cm high

Art.-No. 1791 95,- €

■ 15-degree-element  
side cladding wedge,  
110 cm high

Art.-No. 1791.2 70,- €

- as Art.-No. 1791, but can only be used as cladding (i.e. without threaded sleeves and adjusting mechanisms).



■ 15-degree-element  
backwall wedge  
110 cm high

Art.-No. 1792 110,- €



■ 15-degree-element  
front panel  
110 cm high

Art.-No. 1793.L 75,- €

- left-hand version

Art.-No. 1793.R 75,- €

- right-hand version

## ■ SLIM-BLOCK 15 degree complete set left-hand side 110 cm high

Art.-No. 1701.15.L 675,- €

consisting of:

- |   |        |
|---|--------|
| 1. 15-degree-element sidewall wedge, <b>Art.-No. 1791</b>             | 95,-€  |
| 2. WC-block 20cm narrow (SLIM-BLOCK), <b>Art.-No. 1701</b>            | 475,-€ |
| 3. 15-degree-element backwall wedge, <b>Art.-No. 1792</b>             | 110,-€ |
| 4. 15-degree-element side cladding wedge. <b>Art.-No. 1791.2</b>      | 70,-€  |
| 5. 15°-element front panel, <b>left-hand version, Art.-No. 1793.L</b> | 75,-€  |

**With the complete set, you save 150,- € 825,- €**

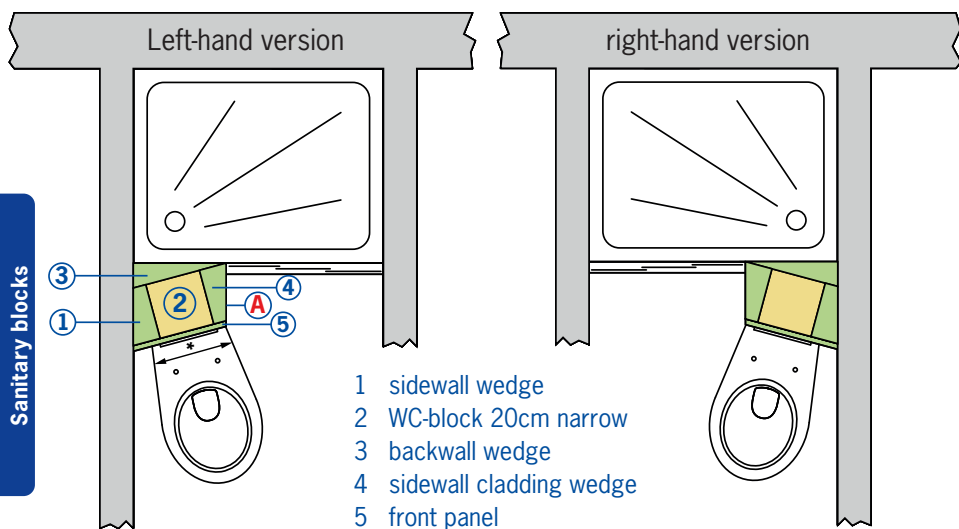
## ■ SLIM-BLOCK 15 degree complete set right-hand side 110 cm high

Art.-No. 1701.15.R 675,- €

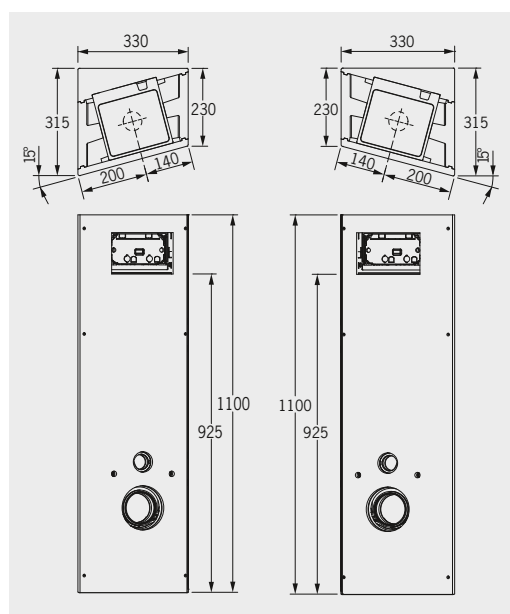
consisting of:

- |  |        |
|--|--------|
| 1. 15-degree-element sidewall wedge, <b>Art.-No. 1791</b>              | 95,-€  |
| 2. WC-block 20cm narrow (SLIM-BLOCK), <b>Art.-No. 1701</b>             | 475,-€ |
| 3. 15-degree-element backwall wedge, <b>Art.-No. 1792</b>              | 110,-€ |
| 4. 15-degree-element side cladding wedge. <b>Art.-No. 1791.2</b>       | 70,-€  |
| 5. 15°-element front panel, <b>right-hand version, Art.-No. 1793.R</b> | 75,-€  |

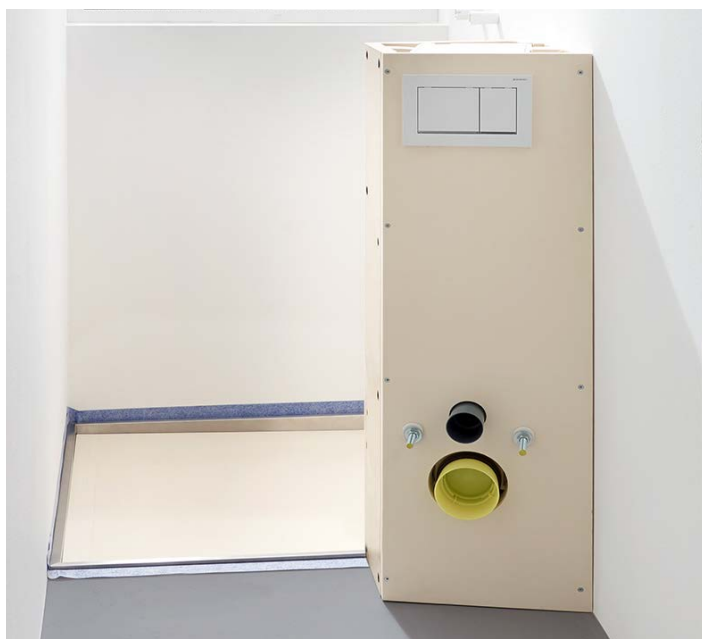
**With the complete set, you save 150,- € 825,- €**



- 1 sidewall wedge
- 2 WC-block 20cm narrow
- 3 backwall wedge
- 4 sidewall cladding wedge
- 5 front panel

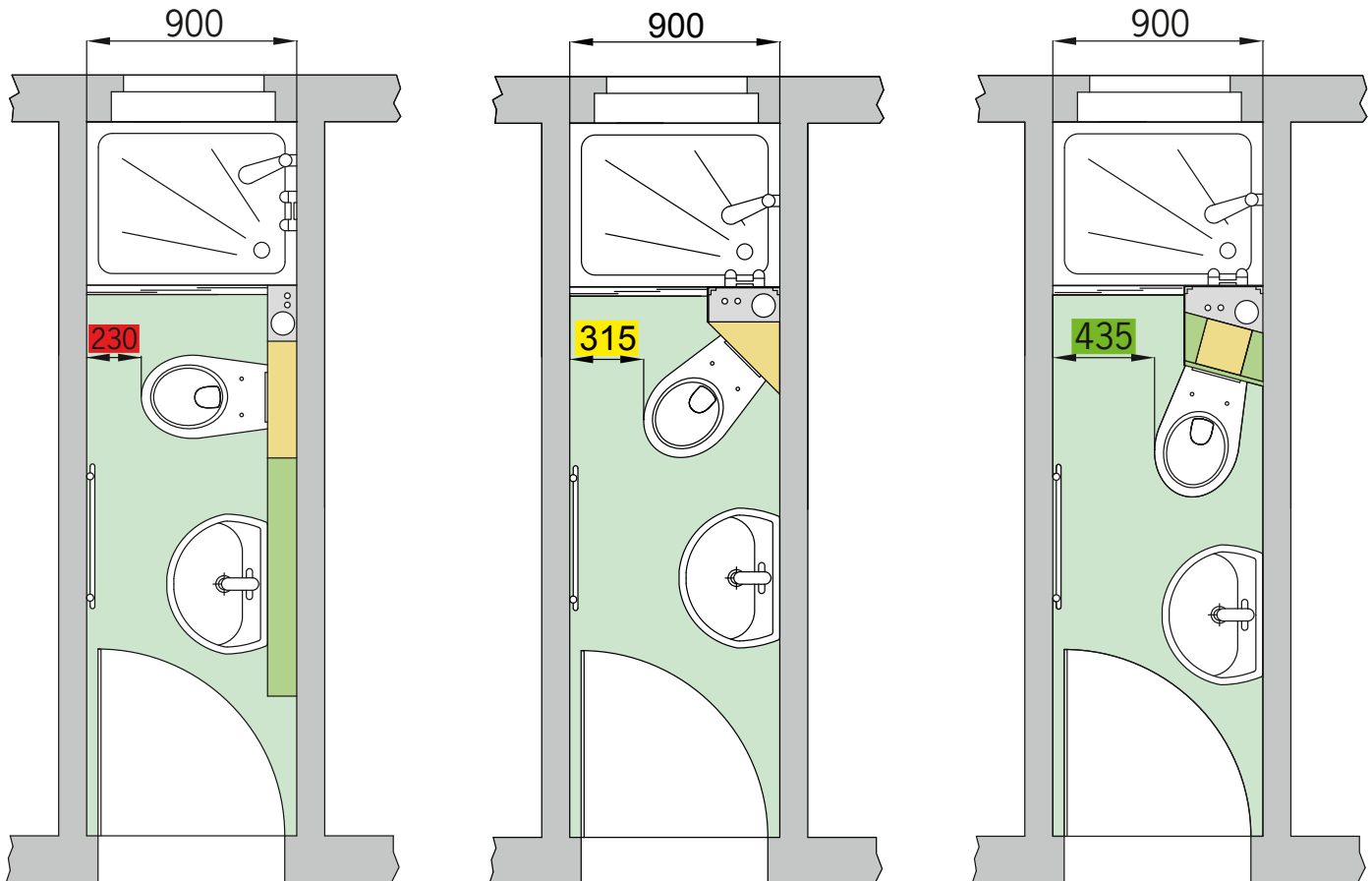


\* max. WC-width of 280 mm at the fastening side.  
For use of wider WC bowls, area **A** has to be reinforced with additional panels.



## Grumbach SLIM-BLOCK – the narrow one with lots of opportunities

The Grumbach SLIM-BLOCK makes the difference in narrow bathrooms (“tubular bathrooms”)



■ Grumbach WC-block as pre-wall installation. WC at 90°-angle to the mounting wall.

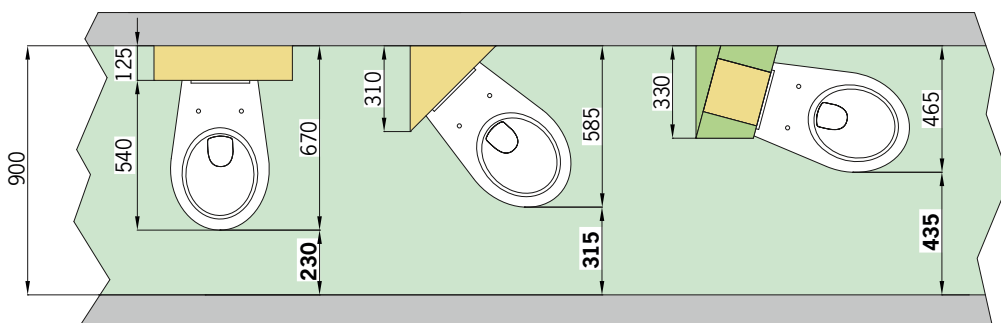
■ Grumbach corner WC-block with single-wall fastening. WC at 45°-angle to the mounting wall.

■ Grumbach SLIM-BLOCK in combination with Grumbach 15°-angle elements. WC at 15°-angle to the mounting wall.

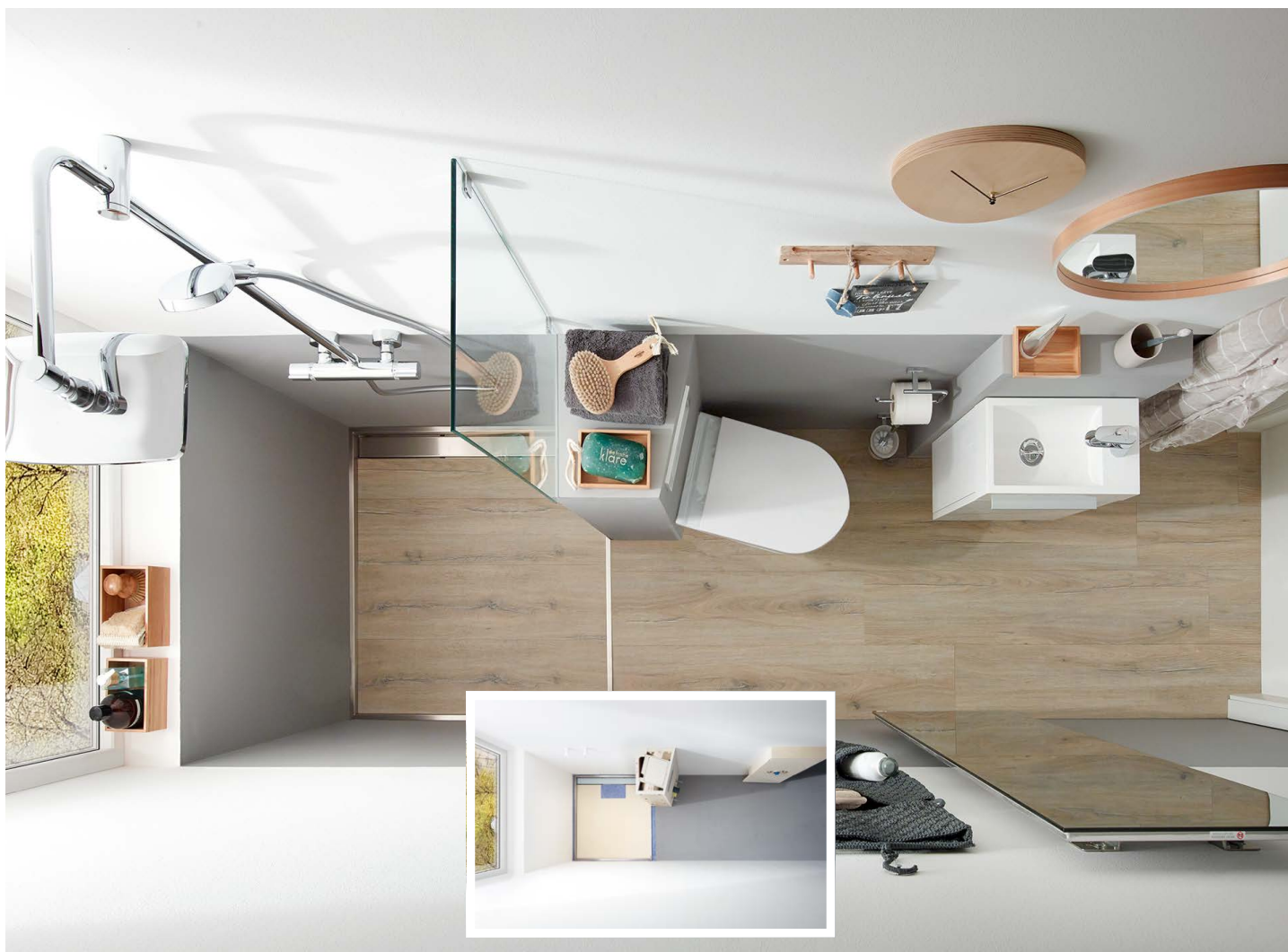
**Installation example see page 38!**

## ■ The Grumbach SLIM-BLOCK in direct comparison

By using a Grumbach SLIM-BLOCK in combination with the Grumbach 15° angle elements, maximal access to the shower, bathtub or window remains, despite limited space.



## ■ Narrow bathroom, width 90 cm



Even a “tubular bath” that is only 90 cm wide can be sensibly designed with the innovative Grumbach sanitary products. With the **shower floor element made of PUR with channel drainage and height-adjustable side panel**, the width of the room is used for a floor-level shower.

The Grumbach **SLIM block in the 15° complete set** ensures an unprecedented, stable and space-saving toilet installation. The **Grumbach sink block** can be reduced to a depth of just 12.5 cm, as shown here, and nestles closely against the wall. A fully-fledged bathroom with a width of only 90 cm!