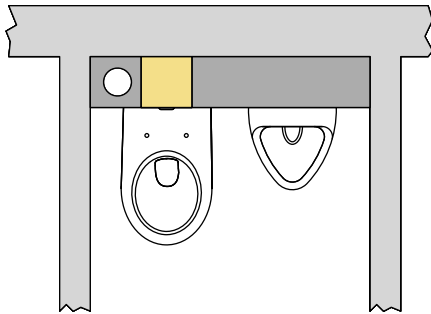
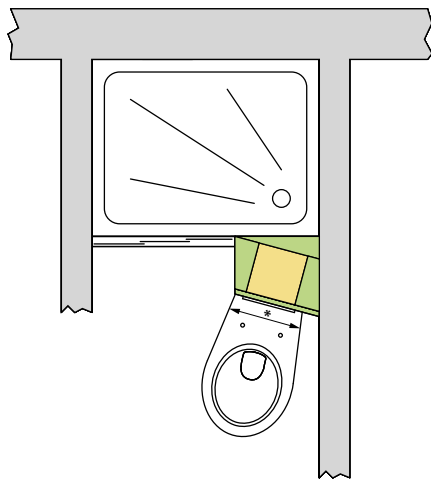


# The Grumbach SLIM-BLOCK: Discover whole new possibilities in WC-Installation!



There is actually no more space next to the downpipe – the Grumbach SLIM-BLOCK allows the mounting of a WC, nevertheless!

**Installation example see page 38!**



The 15°-angle elements of the SLIM-BLOCK allow efficient use of smaller layouts with the installation of a wall-hanging-WC.

**Installation example see page 38!**



Sanitary blocks



Is there a **downpipe** or a **support** in the way? A **stack** or **chimney**? The “**tube-shaped bathroom**” should be used efficiently? That’s no longer a problem!

With the **Grumbach SLIM-BLOCK**, wall-hanging-WCs can be installed, even in particularly tight spaces!



## ■ WC-block 20 cm narrow SLIM-BLOCK for flush panel "Omega" (Geberit®)

Art.-No. 1701 475,- €

Height 110 cm, **Width/Depth** 20 cm

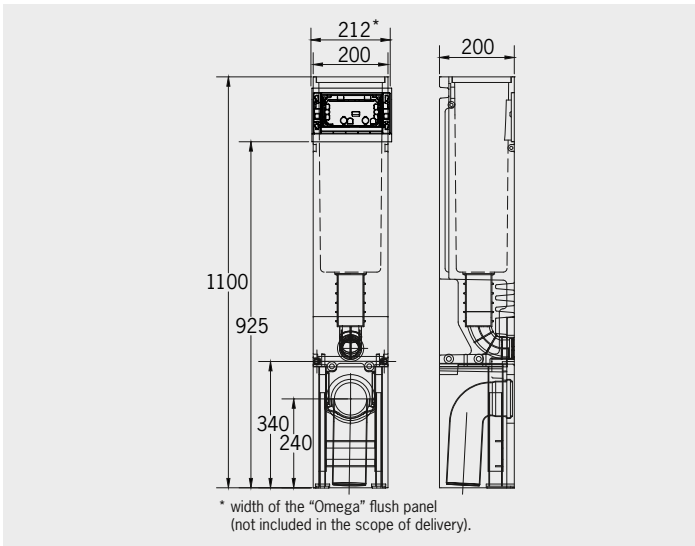
- without flush panel

Art.-No. 1701.S 525,- €

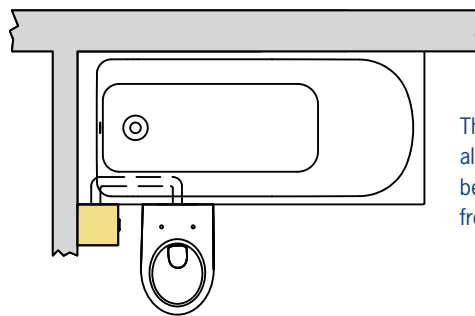
- **reinforced version** for installation in stud walls, **width 25 cm**
- without flush panel

### With dual volume flush technology and completely fitted for wall-hanging WC:

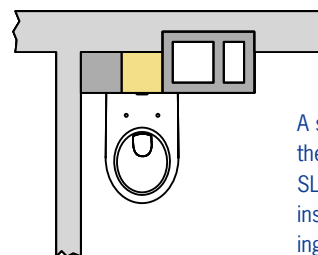
- for screwing in front of the wall or to be walled in
- with fastening material
- with sound proof set
- metre indication line
- with height-adjustable feet (up to 15 cm)
- U-shaped assembly space cover below
- with Corner valve 1/2"
- moulded cistern
- flush volume max. 6 litres
- with WC connection set  $\varnothing$  90 mm
- with WC fastening set
- with WC connection pipes (90°-bend made of PE  $\varnothing$  90/90 mm and PE adaptor  $\varnothing$  90/110 mm)
- building protection caps
- actuation from the front
- without flush panel



### Entirely new possibilities are presented for the installation of WC systems when working with the Grumbach "SLIM-BLOCK"



The Grumbach SLIM-BLOCK allow special solutions to be found, e.g. for WC in front of the bathtub



A stack or a chimney is in the way – the Grumbach SLIM-BLOCK still makes the installation of a wall-hanging WC possible!

## ■ Flush panels for the Grumbach SLIM-BLOCK



Omega 20



Omega 30

- **Note:** When using the "Omega 60" flush panel, the cladding on the block must be at least 24 mm thick!